



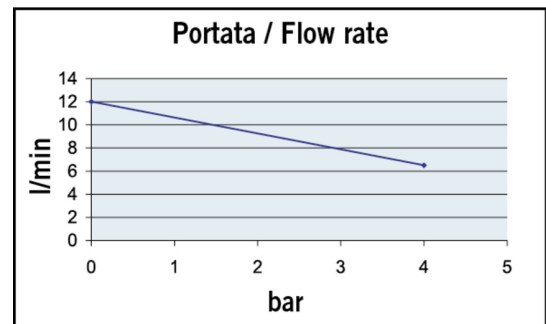
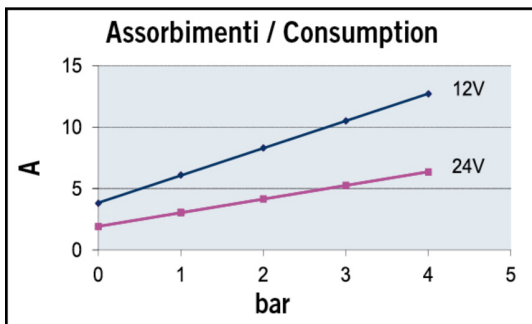
## UP9-P Heavy duty gear pump 12 l/min - PTFE gears - VITON O-Ring

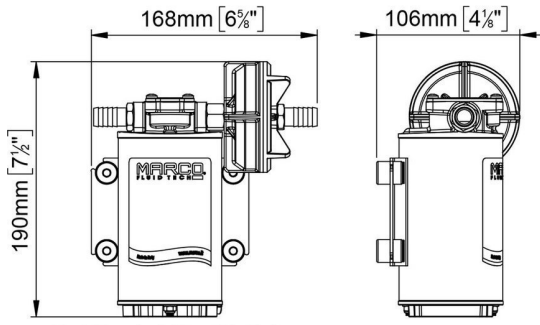


### Quick Overview

Self-priming electric pumps for transferring of liquids up to 4 bar pressure. Pump body in nickel-plated brass. Main application: high pressure spraying.

Part n.	Name	Voltage (V)	Consumption (A)	Fuse (A)	Self-priming (m)	Pressure (bar)	Flow rate (l/min)	Seal	Hose (mm)	Ports (BSP)	Motor power (W)	Weight (kg)
16410212	UP9-P	12	5	15	1,5	4	12	FKM (Viton)	13	3/8"	180	2,7
16410213	UP9-P	24	3	7,5	1,5	4	12	FKM (Viton)	13	3/8"	180	2,7





H 190 x L 168 x W 106  
H 7 1/2" x L 6 5/8" x W 4 1/8"