



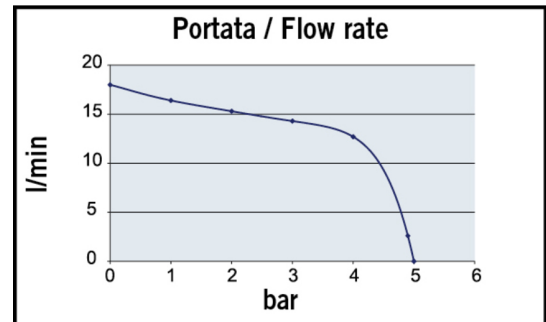
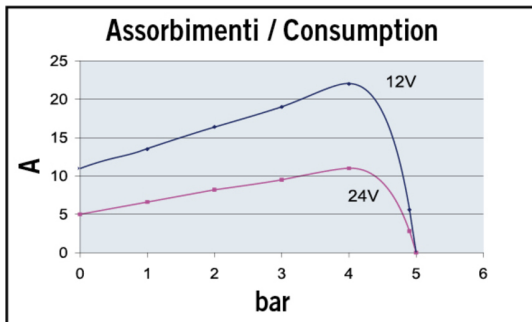
UP10/E Electronic water pressure system 18 l/min

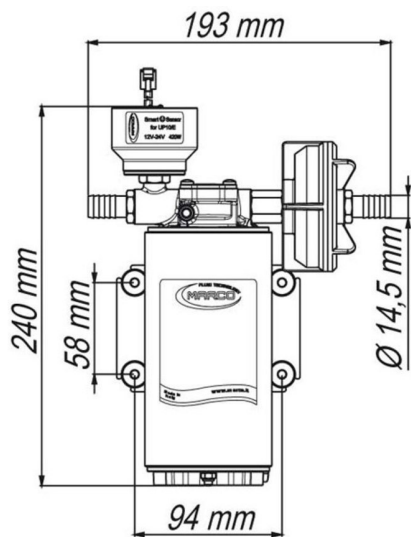


Quick Overview

Self-priming automatic electric pump with helical PTFE gears, integrated check valve and electronic control. Nickel-plated brass body and stainless steel shaft. Main applications: fresh water pressure systems and shower kits, campers.

Part n.	Name	Voltage (V)	Consumption (A)	Fuse (A)	Self-priming (m)	Pressure (bar)	Flow rate (l/min)	Hose (mm)	Ports (BSP)	Motor power (W)	Weight (kg)
16440415	UP10/E	12/24	11 / 5,5	25	3	5	18	13	3/8"	360	4,3





Accessori



PCS 12/24V Control panel for electronic pumps



AT1 Accumulator tank, 2 l, white



AT2 Accumulator tank, 5 l, white