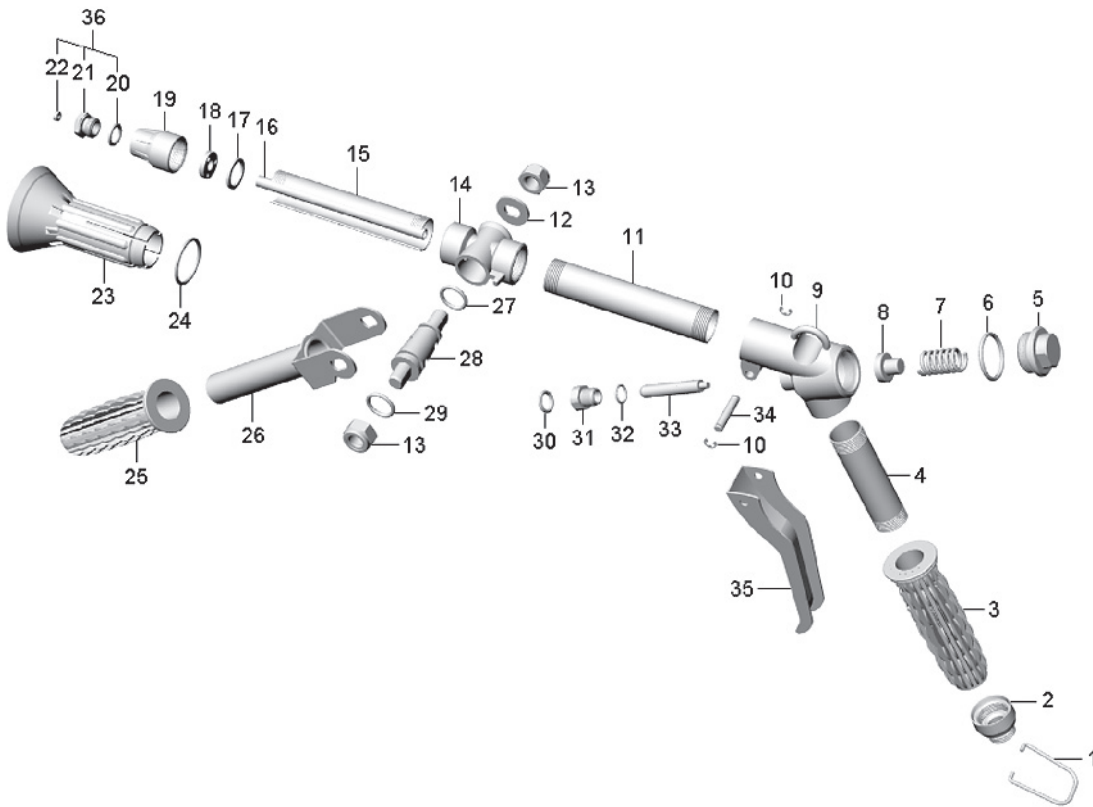




Condizioni di esercizio

Work conditions

DN	1/2"
P (bar)	50
P (PSI)	720
T (°C)	-15 +80



POS.	CODICE / CODE	DENOMINAZIONE	DENOMINATION	MATERIALE	MATERIAL
1	SAIR 1160 015 031	ANELLO	RING	ACCIAIO	STEEL
2	TOIR 1150 015 026	RACCORDO FINALE 1/2"	FINAL CONNECTION 1/2"	OTTONE UNI EN 12164	UNI EN 12164 BRASS
3	SPIR 1150 015 025	MANOPOLA Ø24	HAND GRIP Ø24	PLASTICA	PLASTIC
4	TAIR 1150 015 024	TUBO Ø24 × 1 × L120 - 2 filetti	PIPE Ø24 × 1 × L120 - 2 threads	ACCIAIO INOX AISI 304	AISI 304 STAINLESS STEEL
5	TOIR 1160 015 016	TAPPO	COVER	OTTONE UNI EN 12164	UNI EN 12164 BRASS
6	..OR 1160 015 033	OR 132 (Øi 23,81×2,62)	O RING 132 (Øi 23,81×2,62)	GOMMA NBR 75	GOMMA NBR 75
7	MOAC 1160 015 032	MOLLA	SPRING	ACCIAIO INOX AISI 304	AISI 304 STAINLESS STEEL
8	SPIR 1160 015 013	VALVOLINA	SMALL VALVE	NYLON	NYLON
9	FOIR 1160 015 015	CORPO MITRA	BODY SPRAY GUN	OTTONE UNI EN 1982	UNI EN 1982 BRASS
10	SEEG 1160 015 023	SEEGER RS4	SEEGER RS4	ACCIAIO	STEEL
11	TAIR 1155 015 029	TUBO Ø24 × 1 × L220 - 2 filetti	PIPE Ø24 × 1 × L220 - 2 threads	ACCIAIO INOX AISI 304	AISI 304 STAINLESS STEEL
12	ROAC 1140 010 014	RONDELLA Ø25 × 12 × 2,5	WASHER Ø25 × 12 × 2,5	ACCIAIO ZINCATO	ZINC PLATED STEEL
13	DAAC 0092 150 006	DADO AUTOBLOCCANTE M12	SELF LOCKING NUT M12	ACCIAIO ZINCATO	ZINC PLATED STEEL
14	SOIR 1140 010 001	CORPO	BODY	OTTONE UNI EN 12165	UNI EN 12165 BRASS
15	TAIR 1155 015 009	TUBO Ø24 × 1 × L180	PIPE Ø24 × 1 × L180	ACCIAIO INOX AISI 304	AISI 304 STAINLESS STEEL
16	TOIR 1155 015 008	TUBO Ø8 × 1 × L192	PIPE Ø8 × 1 × L192	OTTONE UNI EN 12168	UNI EN 12168 BRASS
17	TOIR 1170 015 026	RONDELLA Ø23 × 18 × 2	WASHER Ø23 × 18 × 2	ACCIAIO ZINCATO	ZINC PLATED STEEL
18	TOIR 1140 330 010	CONVOGLIATORE Ø20	CONVEYOR Ø20	OTTONE UNI EN 12164	UNI EN 12164 BRASS
19	SOIR 1170 015 020	TESTA M25×1,5	HEAD M25×1,5	OTTONE UNI EN 12165	UNI EN 12165 BRASS
20	..OR 1130 010 007	OR 115 (Øi 11,91×2,62)	O RING 115 (Øi 11,91×2,62)	GOMMA NBR 75	NBR 75 RUBBER
21	TOIR 1130 010 005	TESTINA	SMALL HEAD	OTTONE UNI EN 12164	UNI EN 12164 BRASS
22	UGEL B71C 025 000	BUSSOLINA B71C foro 2,5	B71C INSET 2,5 hole	CERAMICA	BAKED CLAY
23	SPIR 1170 015 019	PARASPRUZZO	SPRINKLING-GUARD	NYLON + VETRO	NYLON + VETRO
24	SEEG 1170 015 028	ANELLO DI ARRESTO UNI 7433	STOP RING UNI 7433	ACCIAIO ZINCATO	ZINC PLATED STEEL
25	SPIR 1155 015 028	MANOPOLA CIECA Ø22	BLIND HAND GRIP Ø22	PLASTICA	PLASTIC
26	SAIR 1155 015 027	FORCELLA	FORK	ACCIAIO ZINCATO	ZINC PLATED STEEL
27	..OR 1027 015 002	OR 117 (Øi 13,10×2,62)	O RING 117 (Øi 13,10×2,62)	GOMMA NBR 75	NBR 75 RUBBER
28	TOIR 1140 010 003	MASCHIO	SHUTTING CONE	OTTONE UNI EN 12164	UNI EN 12164 BRASS
29	..OR 1070 006 004	OR 121 (Øi 15,88×2,62)	O RING 121 (Øi 15,88×2,62)	GOMMA NBR 75	NBR 75 RUBBER
30	..OR 1160 015 019	OR 109 (Øi 9,13×2,62)	O RING 109 (Øi 9,13×2,62)	GOMMA NBR 75	NBR 75 RUBBER
31	TOIR 1160 015 020	PREMISTOPPA M13×1	NUT M13×1	OTTONE UNI EN 12164	UNI EN 12164 BRASS
32	..OR 1100 006 030	OR 108 (Øi 8,73×1,78)	O RING 108 (Øi 8,73×1,78)	GOMMA NBR 75	NBR 75 RUBBER
33	TOIR 1160 015 017	PISTONCINO	SMALL PISTON	OTTONE UNI EN 12164	UNI EN 12164 BRASS
34	TAIR 1160 015 022	PERNO Ø6 × 32	PIN Ø6 × 32	ACCIAIO ZINCATO	ZINC PLATED STEEL
35	SAIR 1160 015 021	MANIGLIA	HANDLE	ACCIAIO ZINCATO	ZINC PLATED STEEL
36	UGEL U71C 025 000	UGELLO U71C foro 2,5	U71C NOZZLE 2,5 hole		