

# PRODUCT CATALOGUE

---







# INDEX

02

VOLPI PROFESSIONAL

18

HOME & HOBBY GREEN FOX

24

VOLPITECH INDUSTRIAL

30

MICRONIZERS

34

WHEELBARROWS AND MOTOR PUMPS

40

SPRINKLERS

46

ACCESSORIES AND SPARE PARTS

75

TERMS OF SALE



ISO 9001 Cert. N. 5600/0





# The best of "Made in Italy" since 1879

**Davide & Luigi Volpi Spa** manufactures a complete range of **equipment for gardening, nurseries, horticulture and industrial use**: unsurpassed products for reliability, durability, aesthetic value and especially for being very user friendly.

**Davide e Luigi Volpi Spa** was founded in 1879 for the production of manual knapsack. Over the years the range of products has become more complete adding **compression sprayers, manual and electric dusters, micronizers, powder bellows and electronic knapsack sprayers**.

All phases, from design to testing, are performed inside the company and every operation of the production cycle is followed meticulously in accordance with procedures established and guaranteed by the **Quality Certification ISO 9001:2008**. The continuous improvement in process and technology allowed Volpi to remain a leader of the market attaining high levels of quality and a high degree of reliability of products.

The **Volpi Professional Line**, distinguished by the brand **VOLPI ORIGINALE**, is the best known. This is the most complete line which includes a wide range of articles, both

manual and electric, suitable for the most demanding consumer and for anyone who seeks a professional product for frequent high-performance use and reliable in time.

The **Home & Hobby GREEN FOX Line**, characterised by the four-leaf clover represents another line of products similar to the Volpi Originale line. Can be used for many different applications based upon needs. This line bears the same quality label "produced by Davide e Luigi Volpi S.p.A."

The **VolpiTech Industrial Line** is a special range of products developed in white colour, with special EDPM and FPM gaskets particularly suitable for chemical solutions. This line of sprayers is used in construction, in the field, for pest control and for cleaning or industrial applications of different types.

With our wide range of products we believe that we are capable of satisfying any request of our present and/or future customer.

Thank you for your kind attention!

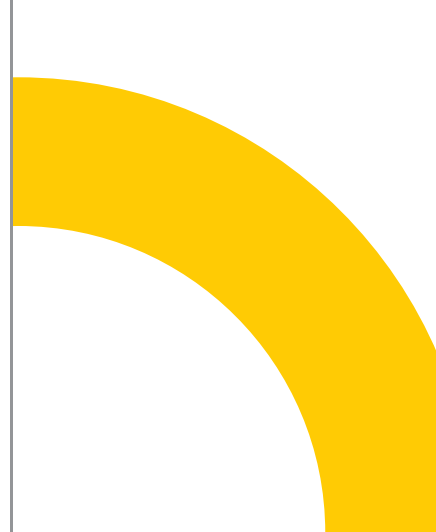


SPRAYER SUITABLE FOR THE USE  
AS PER REGULATION  
**ISO 19932**  
WITH PESTICIDES

# VOLPI PROFESSIONAL



A COMPREHENSIVE LINE OF **ORIGINALE VOLPI** PRODUCTS WHICH INCLUDES A WIDE RANGE OF MANUAL AND ELECTRICAL ITEMS. SUITABLE FOR THE CONSUMER SEEKING A PROFESSIONAL PRODUCT FOR FREQUENT USE, WITH HIGH PERFORMANCE AND RELIABILITY OVER TIME.





## DVL • ½ LITER HAND-HELD SPRAYER

- TOTAL CONTAINER CAPACITY 0.5 LT
- CONTAINER IN POLYETHYLENE
- SINGLE QUANTITY DISPENSED 1.3 ML
- ERGONOMIC HANDLE
- ASSORTED COLOURS
- NBR GASKETS
- ADJUSTABLE SPRAY
- NET WEIGHT 0.07 KG APPROX.
- SUITABLE FOR SPRAYING INDOOR PLANTS AND FOR HOUSEHOLD USES



Model	Code	Min. q.ty	
DVL ½-Liter hand-held sprayer	3336	25	
Head for ½-Liter sprayer	3331/05	50	



Q.ty: PIECES 25  
Dim.(cm): 40x30x34  
Weight (kg): 2,500



Q.ty: PIECES 1000



ERGONOMIC HANDLE

## DVL • 1 LITER HAND-HELD SPRAYER

- TOTAL CONTAINER CAPACITY 1 LT
- CONTAINER IN POLYETHYLENE
- SINGLE DISPENSED QUANTITY 1.3 ML
- ERGONOMIC HANDLE
- ASSORTED COLOURS
- NBR GASKETS
- ADJUSTABLE SPRAY
- NET WEIGHT 0.10 KG APPROX.
- SUITABLE FOR SPRAYING INDOOR PLANTS AND FOR HOUSEHOLD USES



Model	Code	Min. q.ty	
DVL 1-Liter hand-held sprayer	3335	25	
Head for 1-Liter sprayer	3331	50	



Q.ty: PIECES 25  
Dim.(cm): 46x29x52  
Weight (kg): 3,300



Q.ty: PIECES 750



Model	Code	Min. q.ty	
Pal-Box display in four colours for DEA compression sprayers with 2-Liter polyethylene tank (art.3346)	PBX3346	1	
Pal-Box display in four colours for DEA compression sprayers with 2-Liter transparent tank (art. 3346T)	PBX3346T	1	
Pal-Box display in four colours for DEA REVERSE compression sprayers with 2-Liter polyethylene tank (art. 3346F)	PBX3346F	1	
Pal-Box display in four colours for DEA REVERSE compression sprayers with 2-Liter transparent tank (art. 3346TF)	PBX3346TF	1	



Q.ty: PIECES 80  
Dim.(cm): 60x80x137



## DEA • 2 LITERS COMPRESSION SPRAYER



- TOTAL TANK CAPACITY 2 LT
- OPERATING CAPACITY 1.8 LT
- HD POLYETHYLENE TANK
- PRESSURE 2 BAR
- ERGONOMIC HANDLE
- ASSORTED COLOURS
- NBR GASKETS
- STEERABLE BRASS NOZZLE CAN BE AIMED IN ANY DIRECTION
- PRESSURE DISCHARGE VALVE
- NET WEIGHT 0.46 KG APPROX.
- SUITABLE FOR SPRAYING PLANTS AND FOR HOUSEHOLD USES



3345KBLIS

3346/12BLIS

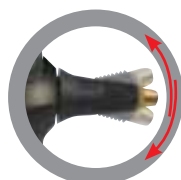
Model	Code	Min. q.ty	
Compression sprayer with steerable nozzle and discharge valve pressure	3346	10	
Spare part kit for Dea - Blister	3345KBLIS	5	
Complete jointed nozzle for Dea - Blister	3346/12BLIS	5	

 Q.ty: PIECES 10  
 Dim.(cm): 38x32x48  
 Weight (kg): 5,000

 Q.ty: PIECES 300



PRESSURE DISCHARGE VALVE



NOZZLE CAN BE AIMED IN ANY DIRECTION

## DEA TRANSPARENT • 2 LITERS COMPRESSION SPRAYER




- TOTAL TANK CAPACITY 2 LT
- OPERATING CAPACITY 1.8 LT
- TRANSPARENT PET TANK
- PRESSURE 2 BAR
- ERGONOMIC HANDLE
- ASSORTED COLOURS
- NBR GASKETS
- STEERABLE BRASS NOZZLE CAN BE AIMED IN ANY DIRECTION
- PRESSURE DISCHARGE VALVE
- NET WEIGHT 0.46 KG APPROX.
- SUITABLE FOR SPRAYING PLANTS AND FOR HOUSEHOLD USES




3345KBLIS

3346/12BLIS

Model	Code	Min. q.ty	
Compression sprayer with transparent tank with steerable nozzle and pressure discharge valve	3346T	10	
Spare part kit for Dea - Blister	3345KBLIS	5	
PComplete jointed nozzle for Dea - Blister	3346/12BLIS	5	

 Q.ty: PIECES 10  
 Dim.(cm): 38x32x48  
 Weight (kg): 4,300

 Q.ty: PIECES 300



Model	Code	Min. q.ty	
Display box in four colours for DEA compression sprayers with 2-Liter polyethylene tank (art. 3346)	BOX3346	1	
Display box in four colours for DEA compression sprayers with 2-Liter transparent tank (art. 3346T)	BOX3346T	1	
Display box in four colours for DEA REVERSE compression sprayers with 2-Liter polyethylene tank (art. 3346F)	BOX3346F	1	
Display box in four colours for DEA REVERSE compression sprayers with 2-Liter transparent tank (art. 3346TF)	BOX3346TF	1	



Q.ty: PIECES 24  
Dim.(cm): 40x40x96

**NEW**

## DEA REVERSE • 2 LITERS COMPRESSION SPRAYER



- TOTAL TANK CAPACITY 2 LT
- OPERATING CAPACITY 1.8 LT
- HD POLYETHYLENE TANK
- PRESSURE 2 BAR
- ERGONOMIC HANDLE
- ASSORTED COLOURS
- NBR GASKETS

- IT IS POSSIBLE TO SPRAY IN ALL POSITIONS
- STEERABLE BRASS NOZZLE CAN BE AIMED IN ANY DIRECTION
- PRESSURE DISCHARGE VALVE
- NET WEIGHT 0.46 KG APPROX.
- SUITABLE FOR SPRAYING PLANTS AND FOR HOUSEHOLD USES



3345KBLIS

3346/12BLIS

Model	Code	Min. q.ty	
Compression sprayer DEA REVERSE with steerable nozzle and discharge valve pressure	3346F	10	
Spare part kit for Dea - Blister	3345KBLIS	5	
Complete jointed nozzle for Dea - Blister	3346/12BLIS	5	



Q.ty: PIECES 10  
Dim.(cm): 38x32x48  
Weight (kg): 5,000

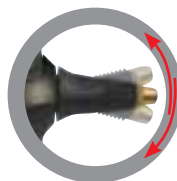


Q.ty: PIECES 300

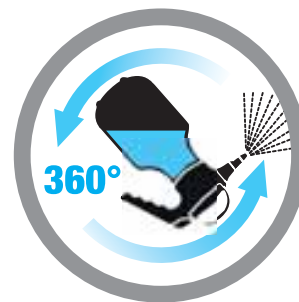
06



PRESSURE DISCHARGE VALVE



NOZZLE CAN BE AIMED IN ANY DIRECTION



IT IS POSSIBLE TO SPRAY IN ALL POSITIONS

**NEW**

## DEA REVERSE TRANSPARENT • 2 LITERS COMPRESSION SPRAYER



- TOTAL TANK CAPACITY 2 LT
- OPERATING CAPACITY 1.8 LT
- TRANSPARENT PET TANK
- PRESSURE 2 BAR
- ERGONOMIC HANDLE
- ASSORTED COLOURS
- NBR GASKETS

- IT IS POSSIBLE TO SPRAY IN ALL POSITIONS
- STEERABLE BRASS NOZZLE CAN BE AIMED IN ANY DIRECTION
- PRESSURE DISCHARGE VALVE
- NET WEIGHT 0.46 KG APPROX.
- SUITABLE FOR SPRAYING PLANTS AND FOR HOUSEHOLD USES



3345KBLIS

3346/12BLIS

Model	Code	Min. q.ty	
Compression sprayer DEA REVERSE with transparent tank with steerable nozzle and pressure discharge valve	3346TF	10	
Spare part kit for Dea - Blister	3345KBLIS	5	
Complete jointed nozzle for Dea - Blister	3346/12BLIS	5	



Q.ty: PIECES 10  
Dim.(cm): 38x32x48  
Weight (kg): 4,300



Q.ty: PIECES 300

## GARDEN • 4 LITERS COMPRESSION SPRAYER

- TOTAL TANK CAPACITY 4.8 LT
- OPERATING CAPACITY 4 LT
- HD POLYETHYLENE TANK
- PLASTIC PUMP
- PRESSURE 3 BAR
- ADJUSTABLE SHOULDER STRAP WITH SUPPORT AND HANDLE
- NBR GASKETS
- 1.2M FLEXIBLE HOSE
- LANCE WITH STEERABLE BRASS NOZZLE
- PRESSURE DISCHARGE VALVE
- NET WEIGHT 1.65 KG APPROX.
- OPTION TO FIT A MANOMETER
- SUITABLE FOR GARDENING AND PEST CONTROL
- SUITABLE FOR THE USE WITH PESTICIDES, AS PER REGULATION ISO 19932 [USING 166RPK KIT]

Model	Code	Min. q.ty	
With Rapid/Get lance	3350A	1	
Additional manometer with brass fitting	3350M	1	
Spare part kit for Garden - Blister	3350KBLIS	5	

 Q.ty: PIECES 1 Dim.(cm): 20x20x51 Weight (kg): 1,900	 Q.ty: PIECES 80	spare parts on page 64
--	--	------------------------



KIT FOR THE USE WITH PESTICIDES [GARDEN AND FLORA SPRAYERS]

Model	Code	Min. q.ty	
Kit with pressure regulator and click/get lance for Garden and Flora	166RPK	1	



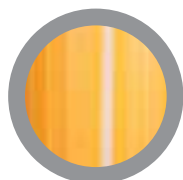
RAPID/GET LANCE



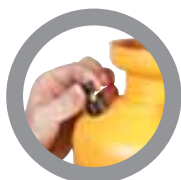
PLASTIC PUMP Ø 48



3350KBLIS



TANK WITH TRANSPARENT LINE FOR BETTER LEVEL READING



PRESSURE DISCHARGE VALVE



SHOULDER STRAP WITH SUPPORT

## GARDEN • 6 LITERS COMPRESSION SPRAYER

- TOTAL TANK CAPACITY 6.9 LT
- OPERATING CAPACITY 6 LT
- HD POLYETHYLENE TANK
- PLASTIC PUMP
- PRESSURE 3 BAR
- ADJUSTABLE SHOULDER STRAP WITH SUPPORT AND HANDLE
- NBR GASKETS
- 1.2M FLEXIBLE HOSE
- LANCE WITH STEERABLE BRASS NOZZLE
- PRESSURE DISCHARGE VALVE
- NET WEIGHT 1.8 KG APPROX.
- OPTION TO FIT A MANOMETER
- SUITABLE FOR GARDENING AND PEST CONTROL
- SUITABLE FOR THE USE WITH PESTICIDES, AS PER REGULATION ISO 19932 [USING 166RPK KIT]

Model	Code	Min. q.ty	
With Rapid/Get lance	3350B	1	
Additional manometer with brass fitting	3350M	1	
Spare part kit for Garden - Blister	3350KBLIS	5	

 Q.ty: PIECES 1 Dim.(cm): 20x20x51 Weight (kg): 2,100	 Q.ty: PIECES 80	spare parts on page 64
--	--	------------------------



RAPID/GET LANCE



PLASTIC PUMP Ø 48



3350KBLIS



## GARDEN • 8 LITERS COMPRESSION SPRAYER

- TOTAL TANK CAPACITY 9 LT
- OPERATING CAPACITY 8 LT
- HD POLYETHYLENE TANK
- PLASTIC PUMP
- PRESSURE 3 BAR
- ADJUSTABLE SHOULDER STRAP WITH SUPPORT AND HANDLE
- NBR GASKETS
- 1.2 M FLEXIBLE HOSE
- LANCE WITH STEERABLE BRASS NOZZLE
- PRESSURE DISCHARGE VALVE
- NET WEIGHT 2.0 KG APPROX.
- OPTION TO FIT A MANOMETER
- SUITABLE FOR GARDENING AND PEST CONTROL
- SUITABLE FOR THE USE WITH PESTICIDES, AS PER REGULATION ISO 19932 [USING 166RPK KIT]



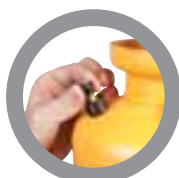
PLASTIC PUMP Ø 48



3350KBLIS



TANK WITH TRANSPARENT LINE FOR BETTER LEVEL READING



PRESSURE DISCHARGE VALVE



SHOULDER STRAP WITH SUPPORT



Model	Code	Min. q.ty	
With Rapid/Get lance	3350C	1	
Additional manometer with brass fitting	3350M	1	
Spare part kit for Garden - Blister	3350KBLIS	5	



Q.ty: PIECES 1  
Dim.(cm): 20x20x61  
Weight (kg): 2,350



Q.ty: PIECES 80

spare parts on page 64



Kit for the use with pesticides [GARDEN AND FLORA SPRAYERS]

Model	Code	Min. q.ty	
Kit with pressure regulator and click/get lance for Garden and Flora	166RPK	1	



### PRESSURE REGULATOR

THE VOLPI PRESSURE REGULATOR HAS BEEN DESIGNED TO MAINTAIN A STABLE PRESSURE IN THE NOZZLE, ELIMINATING THE UPS AND DOWNS PRODUCED BY THE MANUAL PUMPING. IT CAN BE REGULATED AT 1, 2 OR 3 BAR WITH EACH COMPLETE TURN OF THE KNOB. THE RESULT IS CONSTANT OUTPUT PRESSURE AND UNIFORM DROPLET SIZE.

163RP

Model	Code	Min. q.ty	
Pal-Box display in four colours for Garden compression sprayers of 4 Liters with Rapid/Get lance (art. 3350A)	PBX3350A	1	
Pal-Box display in four colours for Garden compression sprayers of 6 Liters with Rapid/Get lance (art. 3350B)	PBX3350B	1	
Pal-Box display in four colours for Garden compression sprayers of 8 Liters with Rapid/Get lance (art. 3350C)	PBX3350C	1	



Q.ty: PIECES 26 (3350A - 3350B)  
in single packaging in four colours  
Dim.(cm): 60x80x144



Q.ty: PIECES 22 (3350C)  
in single packaging in four colours  
Dim.(cm): 60x80x144





RAPID/GET LANCE

# FLORA • 10 LITERS COMPRESSION SPRAYER

- TOTAL TANK CAPACITY 11.2 LT
- OPERATING CAPACITY 10 LT
- HD POLYETHYLENE TANK
- PLASTIC PUMP
- PRESSURE 3 BAR
- ADJUSTABLE SHOULDER STRAP WITH SUPPORT AND HANDLE
- NBR GASKETS
- 1.2 M FLEXIBLE HOSE
- LANCE WITH STEERABLE BRASS NOZZLE
- PRESSURE DISCHARGE VALVE
- NET WEIGHT 2.5 KG APPROX.
- ALSO AVAILABLE WITH MANOMETER
- SUITABLE FOR GARDENING AND PEST CONTROL
- SUITABLE FOR THE USE WITH PESTICIDES, AS PER REGULATION ISO 19932 [USING 166RPK KIT]

Model	Code	Min. q.ty	
With Rapid/Get lance	3385C	1	
With manometer and hose without lance	3385CMT	1	
With manometer and Rapid/Get lance	3385CM	1	
Spare part kit for Flora - Blister	3350KBLIS	5	



Q.ty: PIECES 1  
Dim.(cm): 22x22x66  
Weight (kg): 2,600



Q.ty: PIECES 40

spare parts on page 64



PLASTIC PUMP Ø 48



3350KBLIS



PRESSURE DISCHARGE VALVE



MANOMETER  
(ONLY ON CERTAIN MODELS)



TANK WITH TRANSPARENT  
LINE FOR BETTER LEVEL  
READING



PRESSURE DISCHARGE VALVE



KIT FOR THE USE WITH PESTICIDES [GARDEN AND FLORA SPRAYERS]



SHOULDER STRAP WITH SUPPORT

Model	Code	Min. q.ty	
Kit with pressure regulator and click/get lance for Garden and Flora	166RPK	1	



## UNI • PLASTIC PUMP • 12 LITERS KNAPSACK SPRAYER

- TANK CAPACITY 12 LT
- HD POLYETHYLENE TANK
- PLASTIC PUMP WITH HYDRAULIC AGITATOR
- PRESSURE 6 BAR
- RIGHT- OR LEFT-HANDED PUMP
- ADJUSTABLE SHOULDER STRAPS WITH SUPPORT
- NBR GASKETS
- 1.2 M FLEXIBLE HOSE
- LANCE WITH STEERABLE BRASS NOZZLE
- NET WEIGHT 3.4 KG APPROX.
- AVAILABLE WITH VARIOUS LANCE MODELS
- SUITABLE FOR GARDENING, AGRICULTURE
- SUITABLE FOR THE USE WITH PESTICIDES, AS PER REGULATION ISO 19932 [USING 167RPK AND 168RPK KIT]



Ø 52 PLASTIC PUMP WITH HYDRAULIC AGITATOR LARGE WATER RESERVOIR



78PKBLIS



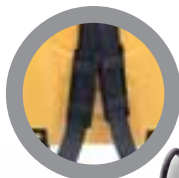
TANK WITH CLEAR VERTICAL LINE FOR BETTER LEVEL READING



METAL CONTROL LEVER



CAP FIXING SYSTEM



SHOULDER STRAPS WITH SUPPORT



Ø 44 BRASS PUMP WITH HYDRAULIC AGITATOR LARGE WATER RESERVOIR



78TKBLIS

## UNI • BRASS PUMP • 12 LITERS KNAPSACK SPRAYER

- TANK CAPACITY 12 LT
- HD POLYETHYLENE TANK
- BRASS PUMP WITH HYDRAULIC AGITATOR
- PRESSURE 6 BAR
- RIGHT- OR LEFT-HANDED PUMP
- ADJUSTABLE SHOULDER STRAPS WITH SUPPORT
- SPECIAL FPM GASKETS
- 1.2 M FLEXIBLE HOSE
- LANCE WITH STEERABLE BRASS NOZZLE
- NET WEIGHT 3.6 KG APPROX.
- AVAILABLE WITH VARIOUS LANCE MODELS
- SUITABLE FOR GARDENING, AGRICULTURE
- SUITABLE FOR THE USE WITH PESTICIDES, AS PER REGULATION ISO 19932 [USING 167RPK AND 168RPK KIT]

Model	Code	Min. q.ty	
With Universal/Get lance	81UG	1	
With Sphere/Get lance	81SF	1	
Spare part kit for brass knapsack sprayer - Blister	78TKBLIS	5	



Q.ty: PIECES 1  
Dim.(cm): 45x15x58  
Weight (kg): 4,100



Q.ty: PIECES 40

spare parts on page 58

Model	Code	Min. q.ty	
With Universal/Get lance	81PUG	1	
With Sphere/Get lance	81PSF	1	
Spare part kit for plastic knapsack sprayer - Blister	78PKBLIS	5	



Q.ty: PIECES 1  
Dim.(cm): 45x15x58  
Weight (kg): 4,000



Q.ty: PIECES 40

spare parts on page 59



Kit for the use with pesticides [UNI, RECORD AND SUPER SPRAYERS]

Model	Code	Min. q.ty	
Kit with pressure regulator and click/get lance for Uni, Record, Super	167RPK	1	
Kit with pressure regulator and stella/get lance for Uni, Record, Super	168RPK	1	



## UNI • PLASTIC PUMP • 15 LITERS KNAPSACK SPRAYER



- TANK CAPACITY 15 LT
- HD POLYETHYLENE TANK
- PLASTIC PUMP WITH HYDRAULIC AGITATOR
- PRESSURE 6 BAR
- RIGHT- OR LEFT-HANDED PUMP
- ADJUSTABLE SHOULDER STRAPS WITH SUPPORT
- NBR GASKETS
- 1.2 M FLEXIBLE HOSE
- LANCE WITH STEERABLE BRASS NOZZLE
- NET WEIGHT 3.4 KG APPROX.
- AVAILABLE WITH VARIOUS LANCE MODELS
- SUITABLE FOR GARDENING, AGRICULTURE
- SUITABLE FOR THE USE WITH PESTICIDES, AS PER REGULATION ISO 19932 [USING 167RPK AND 168RPK KIT]



UNIVERSAL/GET



SPHERE/GET



Ø 52 PLASTIC PUMP WITH HYDRAULIC AGITATOR LARGE WATER RESERVOIR



78PKBLIS



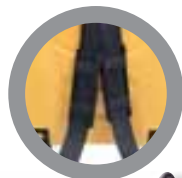
TANK WITH CLEAR VERTICAL LINE FOR BETTER LEVEL READING



METAL CONTROL LEVER



CAP FIXING SYSTEM



SHOULDER STRAPS WITH SUPPORT



## UNI • BRASS PUMP • 12 LITERS KNAPSACK SPRAYER

- TANK CAPACITY 15 LT
- HD POLYETHYLENE TANK
- BRASS PUMP WITH HYDRAULIC AGITATOR
- PRESSURE 6 BAR
- RIGHT- OR LEFT-HANDED PUMP
- ADJUSTABLE SHOULDER STRAPS WITH SUPPORT
- SPECIAL FPM GASKETS
- 1.2 M FLEXIBLE HOSE
- LANCE WITH STEERABLE BRASS NOZZLE
- NET WEIGHT 3.6 KG APPROX.
- AVAILABLE WITH VARIOUS LANCE MODELS
- SUITABLE FOR GARDENING, AGRICULTURE
- SUITABLE FOR THE USE WITH PESTICIDES, AS PER REGULATION ISO 19932 [USING 167RPK AND 168RPK KIT]



Model	Code	Min. q.ty	
With Universal/Get lance	78UG	1	
With Sphere/Get lance	78SF	1	
Spare part kit for plastic knapsack sprayer - Blister	78TKBLIS	5	



Q.ty: PIECES 1  
Dim.(cm): 45x19x58  
Weight (kg): 4,200



Q.ty: PIECES 32

spare parts on page 58



Ø 44 BRASS PUMP WITH HYDRAULIC AGITATOR LARGE WATER RESERVOIR



78TKBLIS



KIT FOR THE USE WITH PESTICIDES [UNI, RECORD AND SUPER SPRAYERS]

Model	Code	Min. q.ty	
Kit with pressure regulator and click/get lance for Uni, Record, Super	167RPK	1	
Kit with pressure regulator and stella/get lance for Uni, Record, Super	168RPK	1	



Model	Code	Min. q.ty	
Pal-Box display box in four colours for knapsack sprayers MOD. 81 12-Liter plastic pump (art. 81PUG)	PBX81PUG	1	



Q.ty: PIECES 15  
in single packaging in four colours  
Dim.(cm): 60x80x144



#### PRESSURE REGULATOR

THE VOLPI PRESSURE REGULATOR HAS BEEN DESIGNED TO MAINTAIN A STABLE PRESSURE IN THE NOZZLE, ELIMINATING THE UPS AND DOWNS PRODUCED BY THE MANUAL PUMPING. IT CAN BE REGULATED AT 1, 2 OR 3 BAR WITH EACH COMPLETE TURN OF THE KNOB. THE RESULT IS CONSTANT OUTPUT PRESSURE AND UNIFORM DROPLET SIZE.

163RP



## RECORD • PLASTIC PUMP • 20 LITERS KNAPSACK SPRAYER

- TANK CAPACITY 20 LT
- HD POLYETHYLENE ANATOMICAL TANK
- HIGH VOLUME PLASTIC PUMP WITH HYDRAULIC AGITATOR
- PRESSURE 6 BAR
- RIGHT- OR LEFT-HANDED PUMP
- ADJUSTABLE SHOULDER STRAPS WITH SUPPORT
- NBR GASKETS
- 1.5 M FLEXIBLE HOSE
- LANCE WITH STEERABLE BRASS NOZZLE
- NET WEIGHT 3.9 KG APPROX.
- AVAILABLE WITH VARIOUS LANCE MODELS
- SUITABLE FOR GARDENING, AGRICULTURE
- SUITABLE FOR THE USE WITH PESTICIDES, AS PER REGULATION ISO 19932 [USING 167RPK AND 168RPK KIT]

Model	Code	Min. q.ty	
With Universal/Get lance	95PUG	1	
With Sphere/Get lance	95PSF	1	



UNIVERSAL/GET



SPHERE/GET



Ø 52 PLASTIC PUMP  
WITH HYDRAULIC AGITATOR  
LARGE WATER RESERVOIR



ANATOMICAL AND  
ERGONOMIC  
20L CAPACITY TANK



METAL CONTROL LEVER



CAP FIXING SYSTEM



SHOULDER  
STRAPS WITH  
SUPPORT



Q.ty: PIECES 1  
Dim.(cm): 45x20x60  
Weight (kg): 4,800



Q.ty: PIECES 32

spare parts on page 61



KIT FOR THE USE WITH PESTICIDES [UNI, RECORD AND SUPER SPRAYERS]

Model	Code	Min. q.ty	
Kit with pressure regulator and click/get lance for Uni, Record, Super	167RPK	1	
Kit with pressure regulator and stella/get lance for Uni, Record, Super	168RPK	1	





## RECORD • BRASS PUMP • 20 LITERS KNAPSACK SPRAYER



- TANK CAPACITY 20 LT
- HD POLYETHYLENE ANATOMICAL TANK
- HIGH VOLUME BRASS PUMP WITH HYDRAULIC AGITATOR
- PRESSURE 6 BAR
- RIGHT- OR LEFT-HANDED PUMP
- ADJUSTABLE SHOULDER STRAPS WITH SUPPORT
- SPECIAL FPM GASKETS
- 1.5 M FLEXIBLE HOSE
- LANCE WITH STEERABLE BRASS NOZZLE
- NET WEIGHT 4.4 KG APPROX.
- AVAILABLE WITH VARIOUS LANCE MODELS
- SUITABLE FOR GARDENING, AGRICULTURE
- SUITABLE FOR THE USE WITH PESTICIDES, AS PER REGULATION ISO 19932 [USING 167RPK AND 168RPK KIT]



Ø 44 BRASS PUMP WITH HYDRAULIC AGITATOR LARGE WATER RESERVOIR



ANATOMICAL AND ERGONOMIC 20L CAPACITY TANK



METAL CONTROL LEVER



CAP FIXING SYSTEM



SHOULDER STRAPS WITH SUPPORT

Model	Code	Min. q.ty	
With Universal/Get lance	95UG	1	
With Sphere/Get lance	95SF	1	

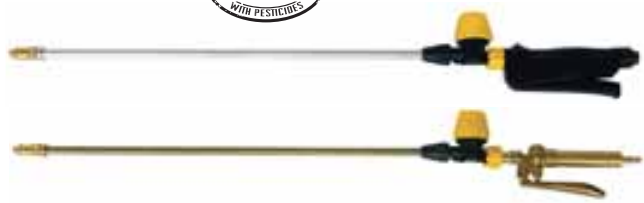


Q.ty: PIECES 1  
Dim.(cm): 45x20x60  
Weight (kg): 4,800



Q.ty: PIECES 32

spare parts on page 61



KIT FOR THE USE WITH PESTICIDES [UNI, RECORD AND SUPER SPRAYERS]

Model	Code	Min. q.ty	
Kit with pressure regulator and click/get lance for Uni, Record, Super	167RPK	1	
Kit with pressure regulator and stella/get lance for Uni, Record, Super	168RPK	1	



## SUPER • STAINLESS STEEL PUMP 20 LITERS • KNAPSACK SPRAYER



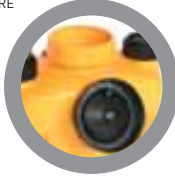
- TANK CAPACITY 20 LT
- HD POLYETHYLENE ANATOMICAL TANK
- HIGH VOLUME STAINLESS STEEL PUMP WITH HYDRAULIC AGITATOR
- PRESSURE 6 BAR
- RIGHT- OR LEFT-HANDED PUMP
- ADJUSTABLE SHOULDER STRAPS WITH SUPPORT
- SPECIAL FPM GASKETS
- 1.5 M FLEXIBLE HOSE
- LANCE WITH STEERABLE BRASS NOZZLE
- NET WEIGHT 4.6 KG APPROX.
- AVAILABLE WITH VARIOUS LANCE MODELS
- SUITABLE FOR GARDENING, AGRICULTURE
- SUITABLE FOR THE USE WITH PESTICIDES, AS PER REGULATION ISO 19932 [USING 167RPK AND 168RPK KIT]



Ø 60 STAINLESS STEEL PUMP WITH HYDRAULIC AGITATOR VERY LARGE WATER RESERVOIR AND VERY HIGH PRESSURE



ANATOMICAL AND ERGONOMIC 20L CAPACITY TANK



CAP FIXING SYSTEM

Model	Code	Min. q.ty	
With Universal/Get lance	94UG	1	
With Sphere/Get lance	94SF	1	



Q.ty: PIECES 1  
Dim.(cm): 45x20x60  
Weight (kg): 5,3



Q.ty: PIECES 32

spare parts on page 60



# ELETTROPLUS • 15 LITERS

## ELECTRIC KNAPSACK SPRAYER WITH TROLLEY AND RECHARGEABLE 12 VOLT BATTERY



- TANK CAPACITY 15 LT
- HD POLYETHYLENE ANATOMICAL TANK
- EXTRACTABLE FILTER INSIDE THE TANK
- ADJUSTABLE SHOULDER STRAPS WITH PADDING
- HIGH PERFORMANCE STAINLESS STEEL ELECTRIC PISTON PUMP WITH SPHERE VALVES
- RECHARGEABLE 12V BATTERY
- BATTERY CHARGER
- INTEGRATED ELECTRONIC CONTROL
- LOW BATTERY INDICATOR
- PRESSURE REGULATOR
- PRESSURE FROM 0.5 TO 5.5 BAR
- HYDRAULIC MIXING SYSTEM
- FLOW RATE 0.9 LT/MIN AT PEAK PRESSURE
- 1.5 M FLEXIBLE HOSE
- STURDY AND ERGONOMIC HANDLE WITH MANOMETER PROTECTED FROM IMPACT
- ELECTRICALLY CONTROLLED LANCE
- STEERABLE BRASS NOZZLE AND FAN NOZZLE
- NET WEIGHT 5 KG APPROX.
- AVAILABLE WITHOUT BATTERY
- SUITABLE FOR GARDENING, AGRICULTURE
- SUITABLE FOR THE USE WITH PESTICIDES, AS PER REGULATION ISO 19932

Model	Code	Min. q.ty	
Electroplus 15 lt with piston pump	10PTE	1	
Electroplus 15 lt with piston pump without battery	10PTS	1	

 Q.ty: PIECES 1 Dim.(cm): 44x21x56 Weight (kg): 7,800	 Q.ty: PIECES 30	spare parts on page 62
---	--	------------------------



CAP FIXING SYSTEM



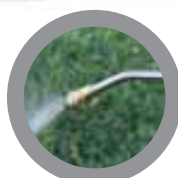
ON-OFF SWITCH AND FUSE COMPARTMENT, USEFUL FOR THE ELECTRICAL PROTECTION OF THE MACHINE (MOD. 10PTE-10PTEX-10PTC-10PTB)



ERGONOMIC HANDLE WITH INTEGRATED MANOMETER. USEFUL TO DISPLAY THE DESIRED PRESSURE. PROTECTION FROM ACCIDENTAL IMPACTS (MOD. 10PTE-10PTEX-10PTC)



BRASS PRESSURE REGULATOR. IT LETS YOU ADJUST THE OUTPUT PRESSURE FROM 0 TO 5.5 BAR ACCORDING TO NEED (MOD. 10PTE-10PTEX-10PTC-10PTB)



BEND EXTENSION PIPE IN STAINLESS STEEL 75 CM



# ELETTROPLUS • 15 LITERS

## ELECTRIC KNAPSACK SPRAYER WITH HERBICIDE BAR AND RECHARGEABLE 12 VOLT BATTERY



Model	Code	Min. q.ty	
Electric knapsack sprayer with herbicide bar and rechargeable 12 volt battery	10PTEX	1	

 Q.ty: PIECES 1 Dim.(cm): 44x21x56 Weight (kg): 7,800	 Q.ty: PIECES 30	spare parts on page 62
--	---	------------------------



METAL TROLLEY



STRONG WHEELS  
WITH LARGE DIMENSIONS

## ELETTROPLUS • 15 LITERS

### ELECTRIC KNAPSACK SPRAYER WITH TROLLEY AND RECHARGEABLE 12 VOLT BATTERY

PISTON  
PUMP

- TANK CAPACITY 15 LT
- HD POLYETHYLENE ANATOMICAL TANK
- EXTRACTABLE FILTER INSIDE THE TANK
- ADJUSTABLE SHOULDER STRAPS
- HIGH PERFORMANCE STAINLESS STEEL ELECTRIC PISTON PUMP WITH SPHERE VALVES
- RECHARGEABLE 12V BATTERY
- BATTERY CHARGER
- INTEGRATED ELECTRONIC CONTROL
- LOW BATTERY INDICATOR
- PRESSURE REGULATOR
- PRESSURE FROM 0.5 TO 5.5 BAR
- HYDRAULIC MIXING SYSTEM
- FLOW RATE 0.9 LT/MIN AT PEAK PRESSURE
- 1.5 M FLEXIBLE HOSE
- STURDY AND ERGONOMIC HANDLE WITH MANOMETER PROTECTED FROM IMPACT
- ELECTRICALLY CONTROLLED LANCE
- STEERABLE BRASS NOZZLE AND FAN NOZZLE
- NET WEIGHT 5 KG APPROX.
- AVAILABLE WITHOUT BATTERY
- SUITABLE FOR GARDENING, AGRICULTURE

Model	Code	Min. q.ty	
Elettroplus 15 lt with piston pump and trolley	10PTC	1	
Metal trolley with 2 wheels w/handle kit, manometer and hose of 2,5 mt	10/850	1	
Handle kit, manometer and hose of 2,5 mt	10K6	1	
 Q.ty: PIECES 1 Dim.(cm): 78x39x51 Weight (kg): 17,800		 Q.ty: PIECES 12	



15

## ELETTROPLUS • 15 LITERS

### ELECTRIC KNAPSACK SPRAYER WITH TROLLEY AND HERBICIDE BAR WITH RECHARGEABLE 12 VOLT BATTERY

PISTON  
PUMP

- TANK CAPACITY 15LT
- HD POLYETHYLENE ANATOMICAL TANK
- EQUIPPED WITH STURDY METAL TROLLEY WITH ADJUSTABLE HERBICIDE BAR
- MAXIMUM WIDTH OF HERBICIDE BAR 180CM
- EXTRACTABLE FILTER INSIDE THE TANK
- HIGH PERFORMANCE STAINLESS STEEL ELECTRIC PISTON PUMP WITH SPHERE VALVES
- RECHARGEABLE 12V BATTERY
- BATTERY CHARGER
- INTEGRATED ELECTRONIC CONTROL
- LOW BATTERY INDICATOR
- PRESSURE REGULATOR
- HYDRAULIC MIXING SYSTEM
- CONNECTION HOSE PUMP / BAR
- GENERAL ON/OFF SWITCH
- 4 FAN NOZZLES
- NET PUMP WEIGHT 5 KG APPROX.
- TROLLEY WEIGHT 7 KG APPROX.
- SUITABLE FOR WEED CONTROL

Model	Code	Min. q.ty	
Elettroplus 15 lt with piston pump, practical trolley and 120cm herbicide bar with 4 nozzles	10PTB	1	
4-nozzle, 120cm herbicide bar for a spraying capacity of 180cm	10/950	1	
Supports for herbicide bar with connection hose and fittings	10/960	1	
 Q.ty: PIECES 1 Dim.(cm): 78x39x51 Weight (kg): 17,400		 Q.ty: PIECES 12	

FAN NOZZLE FOR HERBICIDE  
CONTROL WITH FILTER  
(MODEL 10PTB)



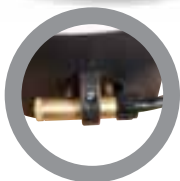
## ELETTROEASY • 15 LITERS

### ELECTRIC KNAPSACK SPRAYER WITH RECHARGEABLE 12 VOLT BATTERY

- TANK CAPACITY 15 LT
- HD POLYETHYLENE ANATOMICAL TANK
- EXTRACTABLE FILTER INSIDE THE TANK
- ADJUSTABLE SHOULDER STRAPS WITH PADDING
- ELECTRIC DIAPHRAGM PUMP
- RECHARGEABLE 12V BATTERY
- BATTERY CHARGER
- PRESSURE REGULATOR
- PRESSURE FROM 0.5 TO 3 BAR
- HYDRAULIC MIXING SYSTEM
- FLOW RATE 0.8 LT/MIN AT PEAK PRESSURE
- 1.5 M FLEXIBLE HOSE
- ERGONOMIC HANDLE
- ELECTRICALLY CONTROLLED LANCE
- STEERABLE BRASS NOZZLE AND FAN NOZZLE
- NET WEIGHT 5 KG APPROX.
- SUITABLE FOR GARDENING, AGRICULTURE
- SUITABLE FOR THE USE WITH PESTICIDES, AS PER REGULATION ISO 19932



ON-OFF SWITCH



BRASS PRESSURE REGULATOR



CAP FIXING SYSTEM

Model	Code	Min. q.ty	
Elettroeasy 15 lt with diaphragmpump	14MBR	1	



Q.ty: PIECES 1  
Dim.(cm): 44x21x56  
Weight (kg): 7,800



Q.ty: PIECES 30

spare parts on page 63



TUBE END WITH POWDER SPREADER

## EOLO PLASTIC POWDER BELLOWS

- PLASTIC BELLOWS
- TANK CAPACITY 0.6KG
- STRAIGHT POLE AND POWDER SPREADER
- NET WEIGHT 0.16 KG APPROX.
- SUITABLE FOR DISTRIBUTING SMALL QUANTITIES OF POWDER

Model	Code	Min. q.ty	
Eolo plastic bellows	1512	6	



Q.ty: PIECES 6  
Dim.(cm): 14x21x31  
Weight (kg): 1,100



Q.ty: PIECES 720



TUBE END WITH POWDER SPREADER

## MISTRAL PLASTIC POWDER BELLOWS

- PLASTIC BELLOWS
- TANK CAPACITY 1.5 KG
- GRINDER
- EXTENSION POLE AND POWDER SPREADER
- NET WEIGHT 0.75 KG APPROX.
- SUITABLE FOR DISTRIBUTING POWDER IN AGRICULTURE

Model	Code	Min. q.ty	
Mistral hand operated plastic powder bellows with grinder	18	6	

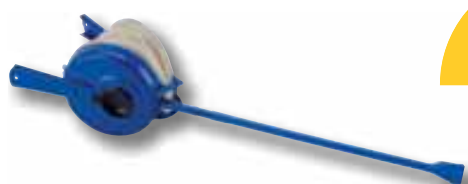


Q.ty: PIECES 6  
Dim.(cm): 80x30x36  
Weight (kg): 5,600



Q.ty: PIECES 120

spare parts on page 68



TUBE END WITH POWDER SPREADER

## GHIBLI METAL POWDER BELLOWS

- BELLOWS MADE OF VARNISHED, GALVANISED SHEET METAL
- TANK CAPACITY 1 KG
- DOUBLE AIR FLOW OPERATION
- EXTENSION POLE AND POWDER SPREADER
- NET WEIGHT 1.2 KG APPROX.
- SUITABLE FOR DISTRIBUTING POWDER IN AGRICULTURE

Model	Code	Min. q.ty	
Soffietto metallico a mano Ghibli	19	5	



Q.ty: PIECES 5  
Dim.(cm): 44x21x56  
Weight (kg): 7,450





Q.ty: PIECES 140

spare parts on page 68



## SV 80 MANUAL DUSTER

- PAINTED STEEL FRAME
- HD POLYETHYLENE TANK
- TANK CAPACITY 6 KG
- DOUBLE-ACTING PISTON
- RIGHT- OR LEFT-HANDED MACHINE
- ROTARY DISC GRINDER UNIT
- 5 POSITION POWDER REGULATOR
- DELIVERY HOSE
- 2 EXTENSION POLES
- POWDER SPREADER
- NET WEIGHT 6.5 KG APPROX.
- SUITABLE FOR DISTRIBUTING POWDER IN AGRICULTURE

Model	Code	Min. q.ty	
Manual duster SV 80	SV	1	
 Q.ty: PIECES 1 Dim.(cm): 46x29x52 Weight (kg): 7,500	 Q.ty: PIECES 24	spare parts on page 65	





METAL STRUCTURE



TUBE END WITH POWDER SPREADER

## DINAMICA ELECTRIC KNAPSACK DUSTER WITH RECHARGEABLE 12 VOLT BATTERY

- TANK CAPACITY 6 KG
- HD POLYETHYLENE ANATOMIC FRAME
- OPTIMAL WEIGHT DISTRIBUTION
- ADJUSTABLE SHOULDER STRAPS
- CENTRIFUGAL IMPELLER WITH POWDER FALLING VERTICALLY
- ELECTRIC MOTOR
- TECHNICAL HOUSING SEPARATE FROM MACHINE BODY
- RECHARGEABLE 12V BATTERY
- BATTERY CHARGER
- 5 POSITION POWDER REGULATOR LEVER
- MECHANICAL MIXING SYSTEM
- PEAK AIR FLOW RATE 28 LT/S
- PEAK POWDER FLOW RATE 0.3 KG/MIN
- DELIVERY HOSE
- EXTENSION POLE
- POWDER SPREADER
- NET WEIGHT 8KG APPROX.
- SUITABLE FOR DISTRIBUTING POWDER IN AGRICULTURE

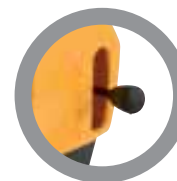
Model	Code	Min. q.ty	
DINAMICA electric duster	SVE	1	
 Q.ty: PIECES 1 Dim.(cm): 45x36x64 Weight (kg): 10,000	 Q.ty: PIECES 15	spare parts on page 65	



ON-OFF SWITCH CONVENIENTLY ACCESSIBLE FROM THE SIDE OF THE MACHINE



FUSE COMPARTMENT, USEFUL FOR THE ELECTRICAL PROTECTION OF THE MACHINE



LEVER TO ADJUST THE QUANTITY OF POWDER DELIVERED



# HOME & HOBBY GREEN FOX





A RANGE OF PRODUCTS CALLED **GREEN FOX** AIMED AT DOMESTIC, NON-PROFESSIONAL USERS WHO SEEK A HIGH, GUARANTEED PRICE-QUALITY RATIO.

## DVL • ½ LITER HAND-HELD SPRAYER

- TOTAL CONTAINER CAPACITY 0.5 LT
- CONTAINER IN POLYETHYLENE
- SINGLE DISPENSED QUANTITY 1.3 ML
- ERGONOMIC HANDLE
- ASSORTED COLOURS
- NBR GASKETS
- ADJUSTABLE SPRAY
- NET WEIGHT 0.07 KG APPROX.
- SUITABLE FOR SPRAYING INDOOR PLANTS AND FOR HOUSEHOLD USES



Model	Code	Min. q.ty	
DVL ½-Liter hand-held sprayer	3336	25	
Head for ½-Liter sprayer	3331/05	50	
 Q.ty: PIECES 25 Dim.(cm): 40x30x34 Weight (kg): 2,500	 Q.ty: PIECES 1000		





ERGONOMIC HANDLE

## DVL • 1 LITER HAND-HELD SPRAYER

- TOTAL CONTAINER CAPACITY 1 LT
- CONTAINER IN POLYETHYLENE
- SINGLE DISPENSED QUANTITY 1.3 ML
- ERGONOMIC HANDLE
- ASSORTED COLOURS
- NBR GASKETS
- ADJUSTABLE SPRAY
- NET WEIGHT 0.10 KG APPROX.
- SUITABLE FOR SPRAYING INDOOR PLANTS AND FOR HOUSEHOLD USES



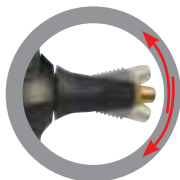
Model	Code	Min. q.ty	
DVL 1-Liter hand-held sprayer	3335	25	
Head for 1-Liter sprayer	3331	50	
 Q.ty: PIECES 25 Dim.(cm): 46x29x52 Weight (kg): 3,300	 Q.ty: PIECES 750		

## GREEN 2 • 2 LITERS COMPRESSION SPRAYER



- TOTAL TANK CAPACITY 1.7 LT
- OPERATING CAPACITY 1.5 LT
- HD POLYETHYLENE TANK
- PRESSURE 2 BAR
- ERGONOMIC HANDLE
- NBR GASKETS
- STEERABLE BRASS NOZZLE CAN BE AIMED IN ANY DIRECTION
- PRESSURE DISCHARGE VALVE
- NET WEIGHT 0.46 KG APPROX.
- SUITABLE FOR SPRAYING PLANTS AND FOR HOUSEHOLD USES



PRESSURE DISCHARGE VALVE



NOZZLE CAN BE AIMED IN ANY DIRECTION

Model	Code	Min. q.ty	
GREEN Compression sprayer 2 lt with steerable nozzle and pressure discharge valve	3344	10	
Spare part kit for Dea - Blister	3345KBLIS	5	
Complete jointed nozzle for Dea - Blister	3346/12BLIS	5	
 Q.ty: PIECES 10 Dim.(cm): 38x32x48 Weight (kg): 5,300	 Q.ty: PIECES 300		





## GREEN 6 • 6 LITERS COMPRESSION SPRAYER



- TOTAL TANK CAPACITY 6.5 LT
- OPERATING CAPACITY 6 LT
- HD POLYETHYLENE TANK
- PLASTIC PUMP
- PRESSURE 3 BAR
- ADJUSTABLE SHOULDER STRAP AND HANDLE
- NBR GASKETS
- 1.2M FLEXIBLE HOSE
- LANCE WITH STEERABLE BRASS NOZZLE
- PRESSURE DISCHARGE VALVE
- NET WEIGHT 1.7 KG APPROX.
- ALSO AVAILABLE WITH HOSE WITHOUT LANCE
- SUITABLE FOR GARDENING, PEST CONTROL, WASHING



SPRAY/GET LANCE



Ø 41 PLASTIC PUMP

Model	Code	Min. q.ty	
With Spray/Get lance	320B	1	
 Q.ty: PIECES 1 Dim.(cm): 20x19x49 Weight (kg): 1,700	 Q.ty: PIECES 80	spare parts on page 67	



PRACTICAL HANDLE FOR TRANSPORT



PRESSURE DISCHARGE VALVE



## GREEN 8 • 8 LITERS COMPRESSION SPRAYER



- TOTAL TANK CAPACITY 8.6 LT
- OPERATING CAPACITY 8 LT
- HD POLYETHYLENE TANK
- PLASTIC PUMP
- PRESSURE 3 BAR
- ADJUSTABLE SHOULDER STRAP AND HANDLE
- NBR GASKETS
- 1.2M FLEXIBLE HOSE
- LANCE WITH STEERABLE BRASS NOZZLE
- PRESSURE DISCHARGE VALVE
- NET WEIGHT 1.85 KG APPROX.
- ALSO AVAILABLE WITH HOSE WITHOUT LANCE
- SUITABLE FOR GARDENING, PEST CONTROL, WASHING



SPRAY/GET LANCE



Ø 41 PLASTIC PUMP

Model	Code	Min. q.ty	
With Spray/Get lance	320C	1	
 Q.ty: PIECES 1 Dim.(cm): 20x19x49 Weight (kg): 1,850	 Q.ty: PIECES 80	spare parts on page 67	



CLICK/GET LANCE



TELESCOPIC LANCE



Ø 52 PLASTIC PUMP WITH HYDRAULIC AGITATOR



PRACTICAL HANDLE FOR TRANSPORT



METAL CONTROL LEVER



CLICK/GET LANCE



SPHERE/GET



TELESCOPIC LANCE



Ø 44 BRASS PUMP WITH HYDRAULIC AGITATOR

## FOX 12 • PLASTIC PUMP • 12 LITERS KNAPSACK SPRAYER

- TANK CAPACITY 12 LT
- HD POLYETHYLENE TANK
- PLASTIC PUMP WITH HYDRAULIC AGITATOR
- PRESSURE 6 BAR
- RIGHT- OR LEFT-HANDED PUMP
- ADJUSTABLE SHOULDER STRAPS
- NBR GASKETS
- 1.2 M FLEXIBLE HOSE
- LANCE WITH STEERABLE BRASS NOZZLE
- NET WEIGHT 3 KG APPROX.
- ALSO AVAILABLE WITH HOSE WITHOUT LANCE
- AVAILABLE WITH VARIOUS LANCE MODELS
- SUITABLE FOR GARDENING, KITCHEN GARDEN, SMALL CROPS

Model	Code	Min. q.ty	
With Click/Get lance	910PCG	1	
With telescopic lance	910PTE	1	



Q.ty: PIECES 1  
Dim.(cm): 45x15x57  
Weight (kg): 3,350



Q.ty: PIECES 40

spare parts on page 66

## FOX 12 • BRASS PUMP • 12 LITERS KNAPSACK SPRAYER

- TANK CAPACITY 12 LT
- HD POLYETHYLENE TANK
- BRASS PUMP WITH HYDRAULIC AGITATOR
- PRESSURE 6 BAR
- RIGHT- OR LEFT-HANDED PUMP
- ADJUSTABLE SHOULDER STRAPS
- SPECIAL NBR GASKETS
- 1.2 M FLEXIBLE HOSE
- LANCE WITH STEERABLE BRASS NOZZLE
- NET WEIGHT 3.15 KG APPROX.
- ALSO AVAILABLE WITH HOSE WITHOUT LANCE
- AVAILABLE WITH VARIOUS LANCE MODELS
- SUITABLE FOR GARDENING, KITCHEN GARDEN, SMALL CROPS

Model	Code	Min. q.ty	
With Click/Get lance	910CG	1	
With Sphere/Get lance	910SF	1	
With telescopic lance	910TE	1	



Q.ty: PIECES 1  
Dim.(cm): 45x15x57  
Weight (kg): 3,350



Q.ty: PIECES 40

spare parts on page 66



## FOX 16 • PLASTIC PUMP • 16 LITERS KNAPSACK SPRAYER

- TANK CAPACITY 16 LT
- HD POLYETHYLENE TANK
- PLASTIC PUMP WITH HYDRAULIC AGITATOR
- PRESSURE 6 BAR
- RIGHT- OR LEFT-HANDED PUMP
- ADJUSTABLE SHOULDER STRAPS
- NBR GASKETS
- 1.2 M FLEXIBLE HOSE
- LANCE WITH STEERABLE BRASS NOZZLE
- NET WEIGHT 3.15 KG APPROX.
- ALSO AVAILABLE WITH HOSE WITHOUT LANCE
- AVAILABLE WITH VARIOUS LANCE MODELS
- SUITABLE FOR GARDENING, KITCHEN GARDEN, SMALL CROPS

Model	Code	Min. q.ty	
With Click/Get lance	920PCG	1	
With telescopic lance	920PTE	1	

 Q.ty: PIECES 1 Dim.(cm): 45x19x57 Weight (kg): 3,600	 Q.ty: PIECES 32	spare parts on page 66
--	--	------------------------



CLICK/GET LANCE



TELESCOPIC LANCE



Ø 52 PLASTIC PUMP WITH  
HYDRAULIC AGITATOR

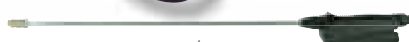


## FOX 16 • BRASS PUMP • 16 LITERS KNAPSACK SPRAYER

- TANK CAPACITY 16 LT
- HD POLYETHYLENE TANK
- BRASS PUMP WITH HYDRAULIC AGITATOR
- PRESSURE 6 BAR
- RIGHT- OR LEFT-HANDED PUMP
- ADJUSTABLE SHOULDER STRAPS
- SPECIAL NBR GASKETS
- 1.2 M FLEXIBLE HOSE
- LANCE WITH STEERABLE BRASS NOZZLE
- NET WEIGHT 3.3 KG APPROX.
- ALSO AVAILABLE WITH HOSE WITHOUT LANCE
- AVAILABLE WITH VARIOUS LANCE MODELS
- SUITABLE FOR GARDENING, KITCHEN GARDEN, SMALL CROPS

Model	Code	Min. q.ty	
With Click/Get lance	920CG	1	
With Sphere/Get lance	920SF	1	
With telescopic lance	920TE	1	

 Q.ty: PIECES 1 Dim.(cm): 45x19x57 Weight (kg): 3,600	 Q.ty: PIECES 32	spare parts on page 66
--	--	------------------------



CLICK/GET LANCE



SPHERE/GET



TELESCOPIC LANCE



Ø 44 BRASS PUMP WITH  
HYDRAULIC AGITATOR







# VOLPITECH INDUSTRIAL



A RANGE OF SPRAYERS AND PUMP CALLED **VOLPITECH** DESIGNED AND MANUFACTURED TO WITHSTAND CONTACT WITH AGGRESSIVE CHEMICALS. THE COMPONENTS USED IN THESE PUMPS ARE PRODUCED USING MATERIALS SUITABLE FOR CONTACT WITH AGGRESSIVE CHEMICALS AND HAVE SPECIAL EDPM AND FPM GASKETS. THESE PUMPS ARE IDEAL FOR USE IN SECTORS SUCH AS CONSTRUCTION, PEST CONTROL AND TO SPRAY AGGRESSIVE CHEMICALS.



# SPECIAL SEALS CHOICE HANDBOOK

Code	Application fields	Usable chemical products
 EPDM	Cleaning, car washing, disinfection	Alkaline cleansers, alcohols, disinfectants, alkaline products in solution
 FPM	Cleaning, building, industry	Fuels, form-release agents, impregnating agents, lubricating oils, acid products in solution



## VOLPITECH05 • ½ LITER VOLPITECH1 • 1 LITER HAND-HELD SPRAYER WITH FPM GASKETS







- TOTAL CONTAINER CAPACITY 0.5 LT AND 1 LT
- CONTAINER IN POLYETHYLENE
- SINGLE DISPENSED QUANTITY 1.3 ML
- ERGONOMIC HANDLE
- SPECIAL FPM GASKETS
- ADJUSTABLE SPRAY
- NET WEIGHT 0.07 KG AND 0,10 KG APPROX.
- SUITABLE FOR SPRAYING AGGRESSIVE PRODUCTS (SEE TABLE)



ERGONOMIC HANDLE

Model	Code	Min. q.ty	
Complete 0.5 Liter sprayer with FPM gasket	VT05	25	
Complete sprayer with FPM gaskets	VT1	25	
Head only for 0.5 Liter sprayer with FPM gasket	VT05T	50	
Sprayer head only with FPM gaskets	VT1T	50	

 Q.ty: PIECES 25 Dim.(cm): 40x30x34 Weight (kg): 2,500	 Q.ty: PIECES 1000	VT05
 Q.ty: PIECES 25 Dim.(cm): 46x29x52 Weight (kg): 3,250	 Q.ty: PIECES 600	VT1



## VOLPITECH2 • 2 LITERS COMPRESSION SPRAYER WITH FPM GASKETS




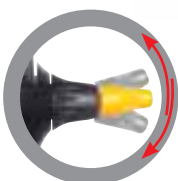
- TOTAL TANK CAPACITY 2 LT
- OPERATING CAPACITY 1.8 LT
- HD POLYETHYLENE TANK
- PRESSURE 2 BAR
- ERGONOMIC HANDLE
- SPECIAL FPM GASKETS
- ADJUSTABLE POLYPROPYLENE NOZZLE CAN BE AIMED IN ANY DIRECTION
- PRESSURE DISCHARGE VALVE
- NET WEIGHT 0.5 KG APPROX.
- SUITABLE FOR SPRAYING AGGRESSIVE PRODUCTS (SEE TABLE)



FLEXIBLE EXTENSION

Model	Code	Min. q.ty	
2l compression sprayer with FPM gaskets with steerable nozzle and discharge valve	VT2	10	
First use spare part kit with FPM gaskets - BLISTER	VT2KBLIS	1	
Flexible extension with PP nozzle	3346PV	1	

 Q.ty: PIECES 10 Dim.(cm): 38x32x48 Weight (kg): 5,100	 Q.ty: PIECES 300	
---	--	--



NOZZLE CAN BE AIMED IN ANY DIRECTION



PRESSURE DISCHARGE VALVE



VT2KBLIS



## VOLPITECH6 • 6 LITERS COMPRESSION SPRAYER WITH FPM GASKETS



- TOTAL TANK CAPACITY 6.6 LT
- OPERATING CAPACITY 6 LT
- HD POLYETHYLENE TANK
- PLASTIC PUMP
- PRESSURE 3 BAR
- ADJUSTABLE SHOULDER STRAP AND HANDLE
- SPECIAL FPM GASKETS
- 1.2 M FLEXIBLE HOSE
- LANCE WITH STEERABLE POLYPROPYLENE NOZZLE
- PRESSURE DISCHARGE VALVE
- NET WEIGHT 2 KG APPROX.
- OPTION TO FIT A MANOMETER
- SUITABLE FOR SPRAYING AGGRESSIVE PRODUCTS (SEE TABLE)

Model	Code	Min. q.ty	
6-Liter compression sprayer with FPM gasket and plastic lance	VT6	1	
Additional manometer with fitting	3350M	1	
First use spare part kit with FPM gaskets - Blister	VT6KBLIS	1	



PLASTIC PUMP Ø 48



PRESSURE DISCHARGE VALVE



PRACTICAL HANDLE FOR TRANSPORT



VT6KBLIS



Q.ty: PIECES 1  
Dim.(cm): 20x20x51  
Weight (kg): 2,000



Q.ty: PIECES 80

spare parts on page 69



## VOLPITECH10 • 10 LITERS COMPRESSION SPRAYER WITH FPM GASKETS



- TOTAL TANK CAPACITY 10.8 LT
- OPERATING CAPACITY 10 LT
- HD POLYETHYLENE TANK
- PLASTIC PUMP
- PRESSURE 3 BAR
- ADJUSTABLE SHOULDER STRAP AND HANDLE
- SPECIAL FPM GASKETS
- 1.2 M FLEXIBLE HOSE
- LANCE WITH STEERABLE POLYPROPYLENE NOZZLE
- PRESSURE DISCHARGE VALVE
- NET WEIGHT 2.5 KG APPROX.
- ALSO AVAILABLE WITH MANOMETER
- SUITABLE FOR SPRAYING AGGRESSIVE PRODUCTS (SEE TABLE)

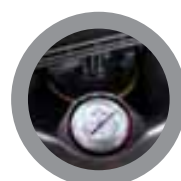
Model	Code	Min. q.ty	
10-Liter compression sprayer with FPM gasket and plastic lance	VT10	1	
10-Liter compression sprayer with FPM gasket, manometer and plastic lance	VT10M	1	
First use spare part kit with FPM gaskets - Blister	VT6KBLIS	1	



PLASTIC PUMP Ø 48



PRESSURE DISCHARGE VALVE



MANOMETER ONLY ON MODELS VT10M AND VT10MT



VT6KBLIS



Q.ty: PIECES 1  
Dim.(cm): 22x22x66  
Weight (kg): 2,700



Q.ty: PIECES 40

spare parts on page 69



## VOLPITECH12 • 12 LITERS KNAPSACK SPRAYER WITH FPM GASKETS



- TANK CAPACITY 12 LT
- HD POLYETHYLENE TANK
- PLASTIC PUMP WITH HYDRAULIC AGITATOR
- PRESSURE 6 BAR
- RIGHT- OR LEFT-HANDED PUMP
- ADJUSTABLE SHOULDER STRAPS
- SPECIAL FPM GASKETS
- 1.2 M FLEXIBLE HOSE
- LANCE WITH STEERABLE POLYPROPYLENE NOZZLE
- NET WEIGHT 3.4 KG APPROX.
- SUITABLE FOR SPRAYING AGGRESSIVE PRODUCTS (SEE TABLE)

Model	Code	Min. q.ty	
With plastic lance	VT12	1	
First use spare part kit with FPM gaskets - Blister	VT12KBLIS	1	

Q.ty: PIECES 1 Dim.(cm): 45x15x58 Weight (kg): 3,800	Q.ty: PIECES 40
--	-----------------



Ø 52 PLASTIC PUMP WITH HYDRAULIC AGITATOR  
LARGE WATER RESERVOIR



PRACTICAL HANDLE FOR TRANSPORT



METAL CONTROL LEVER



VT12KBLIS



NEW

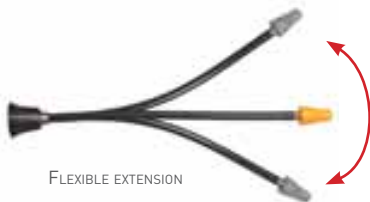
## VOLPITECH2 • 2 LITERS COMPRESSION SPRAYER WITH EDPM GASKETS



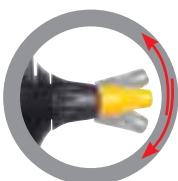
- TOTAL TANK CAPACITY 2 LT
- OPERATING CAPACITY 1.8 LT
- HD POLYETHYLENE TANK
- PRESSURE 2 BAR
- ERGONOMIC HANDLE
- SPECIAL EDPM GASKETS
- ADJUSTABLE POLYPROPYLENE NOZZLE CAN BE AIMED IN ANY DIRECTION
- PRESSURE DISCHARGE VALVE
- NET WEIGHT 0.5 KG APPROX.
- SUITABLE FOR SPRAYING AGGRESSIVE PRODUCTS (SEE TABLE)

Model	Code	Min. q.ty	
2l compression sprayer with EDPM gaskets with steerable nozzle and discharge valve	VT2E	10	
First use spare part kit with EDPM gaskets - BLISTER	VT2EKBLIS	1	
Flexible extension with PP nozzle	3346PV	1	

Q.ty: PIECES 10 Dim.(cm): 38x32x48 Weight (kg): 5,100	Q.ty: PIECES 300
---	------------------



FLEXIBLE EXTENSION



NOZZLE CAN BE AIMED IN ANY DIRECTION



PRESSURE DISCHARGE VALVE



VT2EKBLIS





**NEW**

## VOLPITECH6 • 6 LITERS COMPRESSION SPRAYER WITH EDPM GASKETS



- TOTAL TANK CAPACITY 6.6 LT
- OPERATING CAPACITY 6 LT
- HD POLYETHYLENE TANK
- PLASTIC PUMP
- PRESSURE 3 BAR
- ADJUSTABLE SHOULDER STRAP AND HANDLE
- SPECIAL EDPM GASKETS
- 1.2 M FLEXIBLE HOSE
- LANCE WITH STEERABLE POLYPROPYLENE NOZZLE
- PRESSURE DISCHARGE VALVE
- NET WEIGHT 2 KG APPROX.
- OPTION TO FIT A MANOMETER
- SUITABLE FOR SPRAYING AGGRESSIVE PRODUCTS (SEE TABLE)

Model	Code	Min. q.ty	
6-Liter compression sprayer with EDPM gasket and plastic lance	VT6E	1	
Additional manometer with fitting	3350M	1	
First use spare part kit with EDPM gaskets - Blister	VT6EKBLIS	1	

Q.ty: PIECES 1 Dim.(cm): 20x20x51 Weight (kg): 2,000	Q.ty: PIECES 80	spare parts on page 69
--	-----------------	------------------------



PLASTIC PUMP Ø 48



PRESSURE DISCHARGE VALVE



PRACTICAL HANDLE FOR TRANSPORT



VT6EKBLIS



**NEW**

## VOLPITECH10 • 10 LITERS COMPRESSION SPRAYER WITH FPM GASKETS



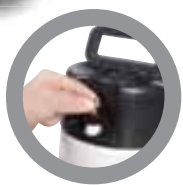
- TOTAL TANK CAPACITY 10.8 LT
- OPERATING CAPACITY 10 LT
- HD POLYETHYLENE TANK
- PLASTIC PUMP
- PRESSURE 3 BAR
- ADJUSTABLE SHOULDER STRAP AND HANDLE
- SPECIAL EDPM GASKETS
- 1.2 M FLEXIBLE HOSE
- LANCE WITH STEERABLE POLYPROPYLENE NOZZLE
- PRESSURE DISCHARGE VALVE
- NET WEIGHT 2.5 KG APPROX.
- ALSO AVAILABLE WITH MANOMETER
- SUITABLE FOR SPRAYING AGGRESSIVE PRODUCTS (SEE TABLE)

Modell	Code	Min. q.ty	
10-Liter compression sprayer with EDPM gasket and plastic lance	VT10E	1	
10-Liter compression sprayer with EDPM gasket, manometer and plastic lance	VT10EM	1	
First use spare part kit with EDPM gaskets - Blister	VT6EKBLIS	1	

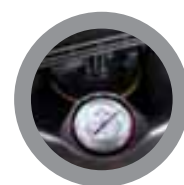
Q.ty: PIECES 1 Dim.(cm): 22x22x66 Weight (kg): 2,700	Q.ty: PIECES 40	spare parts on page 69
--	-----------------	------------------------



PLASTIC PUMP Ø 48



PRESSURE DISCHARGE VALVE



MANOMETER ONLY ON MODELS VT10M AND VT10MT



VT6EKBLIS



# M I C R O N I Z E R S



THE EXTRAORDINARY HERBICIDE SYSTEM, PURE OR DILUATED AT LOW WATER VOLUME, IN A POSITION TO OFFER A HIGH WORK QUALITY, MAXIMUM LIGHTNESS AND EASY USE FOR THE END USER.



## M3000 • ELECTRIC MICRONIZER WITH PROTECTIVE HOOD Ø 34 CM

- TO BE USED WITH PURE, UNDILUATED HERBICIDE
- TANK CAPACITY 1 LT
- HD POLYETHYLENE TANK
- GRAVITY-FED PRODUCT
- DROPS Ø 250 MICRON
- OPERATES WITH TWO 1.5V BATTERIES FOR 40 HOURS APPROX.
- OPERATING ANGLE ADJUSTMENT
- COVERAGE AREA Ø 34CM
- 0.6 M TUBE
- HOOD Ø 34 CM
- NET WEIGHT 2.0 KG APPROX.
- SUITABLE FOR PURE HERBICIDE SPOT CONTROL



Hood Ø 34cm

Model	Code	Min. q.ty	
Micronizer with protective hood Ø 34cm	M3000	1	



Q.ty: PIECES 1  
Dim.(cm): 35x16x108  
Weight (kg): 2,000



Q.ty: PIECES 42

spare parts on page 70

FOR PURE,  
UNDILUATED HERBICIDE

DROPS Ø 250 MICRON

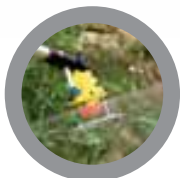


HANDLE WITH SWITCH



## M2000 • ELECTRIC MICRONIZER WITHOUT PROTECTIVE HOOD

- TO BE USED WITH PURE, UNDILUATED HERBICIDE
- TANK CAPACITY 1 LT
- HD POLYETHYLENE TANK
- GRAVITY-FED PRODUCT
- DROPS Ø 250 MICRON
- OPERATES WITH TWO 1.5V BATTERIES FOR 40 HOURS APPROX.
- OPERATING ANGLE ADJUSTMENT
- COVERAGE AREA Ø 120CM
- 1M FOLDING TUBE
- DIFFUSER
- NET WEIGHT 1.6 KG APPROX.
- SUITABLE FOR PURE HERBICIDE WIDESPREAD CONTROL



DIFFUSER WITH PROTECTION

Model	Code	Min. q.ty	
Micronizer without protective hood	M2000	1	



Q.ty: PIECES 1  
Dim.(cm): 26x14x86  
Weight (kg): 1,600



Q.ty: PIECES 60

spare parts on page 70

FOR PURE,  
UNDILUATED HERBICIDE

DROPS Ø 250 MICRON



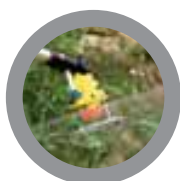
HANDLE WITH SWITCH



# JOLLY • ELECTRIC MICRONIZER



- TO BE USED WITH HERBICIDE DILUTED IN WATER - LOW VOLUME
- TANK CAPACITY 10 LT
- HD POLYETHYLENE TANK
- GRAVITY-FED PRODUCT
- DROPS Ø 250 MICRON
- OPERATES WITH TWO 1.5V BATTERIES FOR 40 HOURS APPROX.
- OPTIONAL RECHARGEABLE LITHIUM BATTERY AND CHARGER, LOW WEIGHT, RAPID CHARGE
- OPTIONAL LITHIUM BATTERY RECHARGEABLE 150 TIMES WITHOUT REPLACEMENT
- OPERATING ANGLE ADJUSTMENT
- COVERAGE AREA FROM Ø 110 CM TO Ø 150 CM
- 1.2 M FOLDING TUBE
- DIFFUSER
- NET WEIGHT 1.7 KG APPROX.
- SUITABLE FOR DILUTED HERBICIDE WIDESPREAD CONTROL



DIFFUSER WITH PROTECTION

Model	Code	Min. q.ty	
Jolly electric micronizer	M10V	5	
Optional			
Rechargeable lithium battery kit with charger	M10V/01	1	



Q.ty: PIECES 5  
Dim.(cm): 146x44x23  
Weight (kg): 8,500



Q.ty: PIECES 80

spare parts on page 71



10L TANK FOR DILUTED HERBICIDE



DROPS Ø 250 MICRON



ERGONOMIC HANDLE



RECHARGEABLE LITHIUM BATTERY KIT WITH CHARGER FOR M10V/01



RECHARGEABLE LITHIUM BATTERY KIT WITH CHARGER FOR M10V/01





# WHEELBARROWS AND MOTOR PUMPS



A RANGE OF PUMPS ON WHEELBARROWS, WITH ELECTRIC MOTORS AND COMBUSTION ENGINES. THE BROAD CHOICE OF WHEELBARROWS AND PUMPS COVERS ANY NEED. IDEAL FOR HIGH PRESSURE SPRAYING.



## TWO-WHEELED WHEELBARROW • 55 LITERS WITH 5 METRES OF HOSE AND LANCE



- TANK CAPACITY 55 LT
- HD POLYETHYLENE TANK
- NET WEIGHT 16.5 KG APPROX.
- SUPPLIED WITH 5 M HOSE AND LEVER LANCE
- CAN BE COMBINED WITH:  
602M, 603MO ELECTRIC PUMPS  
MOTOR PUMPS 602RA, 603RA, 603HO

Model	Code	Min. q.ty	
55 lt two-wheeled wheelbarrow with 5m hose and lance	712/3	1	



Q.ty: PIECES 1  
Dim.(cm): 85x50x80  
Weight (kg): 19,000

## TWO-WHEELED WHEELBARROW • 80 LITERS



- TANK CAPACITY 80 LT
- HD POLYETHYLENE TANK
- NET WEIGHT 22.3 KG APPROX.
- CAN BE COMBINED WITH:  
602M, 603MO ELECTRIC PUMPS  
MOTOR PUMPS 602RA, 603RA, 603HO  
HOSE WINDER 612/5B

Model	Code	Min. q.ty	
80 lt two-wheeled wheelbarrow	712/4A	1	



Q.ty: PIECES 1  
Dim.(cm): 93x73x83  
Weight (kg): 25,300

## TWO-WHEELED WHEELBARROW • 120 LITERS



- TANK CAPACITY 120 LT
- HD POLYETHYLENE TANK
- NET WEIGHT 23 KG APPROX.
- CAN BE COMBINED WITH:  
602M, 603MO ELECTRIC PUMPS  
MOTOR PUMPS 602RA, 603RA, 603HO  
HOSE WINDER 612/5B

Model	Code	Min. q.ty	
120 lt two-wheeled wheelbarrow	712/5A	1	



Q.ty: PIECES 1  
Dim.(cm): 93x73x83  
Weight (kg): 26,000



## AR202 MOTOR PUMP WITH RATO 4-STROKE COMBUSTION MOTOR 2.5 HP

- MAXIMUM FLOW RATE 20 LT/MIN
- MAXIMUM PRESSURE 20 BAR
- NET WEIGHT 14.2TKG APPROX.
- CAN BE COMBINED WITH:  
WHEELBARROWS 712/3, 712/4A, 712/5°



Model	Code	Min. q.ty	
Pump AR202 with RATO motor R100 4 stroke 2.5 HP	602RA	1	
Pump AR202 without reducer	AR202	1	
RATO R100 motor	R100	1	
Overall 1.5 m suction with suction filter and 1.5m hose excess discharge	600/1	1	



Q.ty: PIECES 1  
Dim.(cm): 50x41x50  
Weight (kg): 15,500

## AR252 MOTOR PUMP WITH RATO 4-STROKE COMBUSTION MOTOR 5 HP

- MAXIMUM FLOW RATE 25 LT/MIN
- MAXIMUM PRESSURE 25 BAR
- NET WEIGHT 21.5TKG APPROX.
- CAN BE COMBINED WITH:  
WHEELBARROWS 712/3, 712/4A, 712/5°



Model	Code	Min. q.ty	
Pump AR252 with RATO motor R210 4 stroke 5 HP	603RA	1	
Pump AR252 without reducer	AR252	1	
RATO R210 motor	R210	1	
Overall 1.5 m suction with suction filter and 1.5 m hose excess discharge	600/1	1	



Q.ty: PIECES 1  
Dim.(cm): 50x41x50  
Weight (kg): 23,300



## AR252 MOTOR PUMP

WITH HONDA 4-STROKE COMBUSTION MOTOR 4.8 HP

- MAXIMUM FLOW RATE 25 LT/MIN
- MAXIMUM PRESSURE 25 BAR
- NET WEIGHT 18,5TKG APPROX.
- CAN BE COMBINED WITH:  
WHEELBARROWS 712/3, 712/4A, 712/5°



Model	Code	Min. q.ty	
Pump AR252 with HONDA motor GP160 4 stroke 4.8 HP	603H0	1	
Pump AR252 without reducer	AR252	1	
HONDA GP160 motor	GP160	1	
Overall 1.5 m suction with suction filter and 1.5 m hose excess discharge	600/1	1	



Q.ty: PIECES 1  
Dim.(cm): 50x41x50  
Weight (kg): 20,500

## AR252 ELECTRIC PUMP

WITH SINGLE PHASE ELECTRIC MOTOR 1.5 HP 230V

- MAXIMUM FLOW RATE 25 LT/MIN
- MAXIMUM PRESSURE 25 BAR
- NET WEIGHT 18,2TKG APPROX.
- CAN BE COMBINED WITH:  
WHEELBARROWS 712/3, 712/4A, 712/5A



Model	Code	Min. q.ty	
Pump AR252 with motor single phase 1.5 HP 230V	603M0	1	
Pump AR252 without reducer	AR252	1	
Overall 1.5 m suction with suction filter and 1.5 m hose excess discharge	600/1	1	



Q.ty: PIECES 1  
Dim.(cm): 51x28x37  
Weight (kg): 19,700

## AR202 ELECTRIC PUMP

WITH SINGLE PHASE ELECTRIC MOTOR 1.2 HP 230V

- MAXIMUM FLOW RATE 20 LT/MIN
- MAXIMUM PRESSURE 20 BAR
- NET WEIGHT 17,3TKG APPROX.
- CAN BE COMBINED WITH:  
WHEELBARROWS 712/3, 712/4A, 712/5A



Model	Code	Min. q.ty	
Pump AR202 with motor single phase 1.2 HP 230V	602M0	1	
Pump AR202 without reducer	AR202	1	
Overall 1.5 m suction with suction filter and 1.5 m hose excess discharge	600/1	1	



Q.ty: PIECES 1  
Dim.(cm): 40x32x36  
Weight (kg): 5,500



## HOSE WINDER FOR WHEELBARROW

- NET WEIGHT 5KG APPROX.
- CAN BE COMBINED WITH:  
WHEELBARROWS 712/4A, 712/5A

Model	Code	Min. q.ty	
Hose winder for wheelbarrow	612/5B	1	



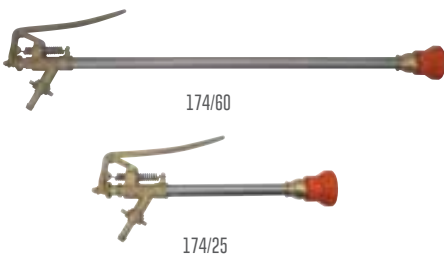
Q.ty: PIECES 1  
Dim.(cm): 40x32x36  
Weight (kg): 5,500



## HIGH PRESSURE PLASTIC HOSE WITH HIGH PRESSURE CANVAS (IN 50 METRE ROLLS)

Model	Code	Q.tà (m)	
High pressure hose 8x13; 20 bar	TP825	50	
High pressure hose 10x17; 40 bar	TP1040	50	

## LEVER LANCE



Model	Code	Min. q.ty	
Steerable lever lance for high pressure, 60 cm approx. with $\varnothing$ 1.5 nozzle	174/60	1	
Steerable lever lance for high pressure, 25 cm approx. with $\varnothing$ 1.5 nozzle	174/25	1	
Lance diffuser for high pressure with $\varnothing$ 1.2 nozzle	174D12	1	
Lance diffuser for high pressure with $\varnothing$ 1.5 nozzle	174D15	1	

## LANCE WITH HANDLE



Model	Code	Min. q.ty	
Steerable lance with handle for high pressure, 65 cm approx. with $\varnothing$ 1.5 nozzle	180/65	1	
Steerable lance with handle for high pressure, 30 cm approx. with $\varnothing$ 1.5 nozzle	180/30	1	
Lance diffuser for high pressure with $\varnothing$ 1.2 nozzle	174D12	1	
Lance diffuser for high pressure with $\varnothing$ 1.5 nozzle	174D15	1	





# SPRINKLERS



A RANGE OF ACCESSORIES FOR IRRIGATION SYSTEMS. ALL SPRINKLERS HAVE OSCILLATING ARM. THE RANGE INCLUDES SPRINKLERS WITH  $\frac{1}{2}$ " PITCH UP TO  $1\frac{1}{4}$ " AND RELATIVE STEEL STANDS.



## JUNIOR • 1/2"

### IMPACT SPRINKLER

Model		Code	Min. q.ty
Junior sprinkler for part circle operation with 1/2" male connection (in plastic bag)		3528A	5
Nozzle Ø	Press. Bar	Jet length m	Flow rate lt/min
4	1,5 to 4	10 to 14	9 to 15
			spare parts on page 73

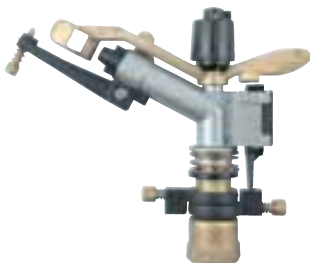


## STEEL STAND • 1/2"

Model	Code	Min. q.ty
Stand in galvanised steel for 1/2" pitch sprinklers and inlet fitting	35T	5

## FUNNY • 1"

### IMPACT SPRINKLER



Model		Code	Min. q.ty
Pretty sprinkler for part circle operation with 1" female connection (in plastic bag)		3521A	1
Nozzle Ø	Press. Bar	Jet length m	Flow rate lt/min
5	1,5 to 4	12 to 16	20 to 32
6	1,5 to 4	13 to 17	28 to 45
7	1,5 to 4	14 to 18	37 to 60
9	1,5 to 4	15 to 19	62 to 100
			spare parts on page 73

## PRETTY • 1"

### IMPACT SPRINKLER



Model		Code	Min. q.ty
Pretty sprinkler for part circle operation with 1" female connection (in plastic bag)		3529	1
Nozzle Ø	Press. Bar	Jet length m	Flow rate lt/min
5	1,5 to 4	12 to 16	20 to 32
6	1,5 to 4	13 to 17	28 to 45
7	1,5 to 4	14 to 18	37 to 60
9	1,5 to 4	15 to 19	62 to 100
spare parts on page 74			

## IBIS • TWO 1" JETS

### IMPACT SPRINKLER



Model		Code	Min. q.ty
Ibis sprinkler for part circle operation with 1" female connection with 2 jets (in plastic bag)		3522	1
Nozzle Ø	Press. Bar	Jet length m	Flow rate lt/min
5 - 6	1,5 to 4	13 to 18	46 to 77
5 - 8	1,5 to 4	14 to 19	69 to 112
5 - 10	1,5 to 4	16 to 21	69 to 156
spare parts on page 74			

## GOLD • TWO 1" JETS

### IMPACT SPRINKLER



Model		Code	Min. q.ty
Gold sprinkler for part circle operation with 1" female connection with 2 jets (in plastic bag)		3522A	1
Nozzle Ø	Press. Bar	Jet length m	Flow rate lt/min
5 - 6	1,5 to 4	13 to 18	46 to 77
5 - 8	1,5 to 4	14 to 19	69 to 112
5 - 10	1,5 to 4	16 to 21	69 to 156
spare parts on page 74			

## K1 • 1" 1/4"

### IMPACT SPRINKLER



Model		Code	Min. q.ty
K1 sprinkler for part circle operation with 1" 1/4" female connection (in plastic bag)		3523A	1
Nozzle Ø	Press. Bar	Jet length m	Flow rate lt/min
8	1,5 to 4	15 to 20	49 to 80
9	1,5 to 4	16 to 21	62 to 100
10	1,5 to 4	17 to 22	76 to 124
12	1,5 to 4	19 v 23	110 to 179

spare parts on page 73

## K2 • 1" 1/4"

### IMPACT SPRINKLER



Model		Code	Min. q.ty
K2 sprinkler for part circle operation with 1" 1/4" female connection (in plastic bag)		3524A	1
Nozzle Ø	Press. Bar	Jet length m	Flow rate lt/min
8	1,5 to 4	15 to 20	49 to 80
9	1,5 to 4	16 to 21	62 to 100
10	1,5 to 4	17 to 22	76 to 124
12	1,5 v 4	19 to 23	110 to 179

spare parts on page 73



## STEEL STAND • 1" 1/4"

Model	Code	Min. q.ty
Stand in galvanised steel for 1" pitch sprinklers and inlet fitting	3521B	5
Treppiede in acciaio zincato per irrigatori passo 1" 1/4" e raccordo all'entrata	3523B	5







# ACCESSORIES AND SPARE PARTS



ACCESSORIES AND SPARE PARTS FOR PRODUCTS IN THE VARIOUS LINES.



## RAPID/GET • SPRAYING LANCE



1611/1C

Model	Code	Min. q.ty	
Curved Rapid/Get lance 61 cm	1611/1C	5	
Curved Rapid/Get lance 61 cm - Blister	1611/1CBLIS	5	

## SPRAY/GET • SPRAYING LANCE



166

Model	Code	Min. q.ty	
Curved Spray/Get lever lance 70 cm	166	5	
Curved Spray/Get lever lance 70 cm - Blister	166BLIS	5	

## UNIVERSAL/GET • SPRAYING LANCE



1614/1

Model	Code	Min. q.ty	
Universal/Get lance 70 cm	1614/1	5	
Universal/Get lance 70 cm - Blister	1614/1BLIS	5	

## HOBBY/VOLPITECH • SPRAYING LANCE



163P



163PV

Model	Code	Min. q.ty	
Plastic lever lance mod. Hobby 60 cm	163P	5	
Plastic lever lance mod. Hobby 60 cm - Blister	163PBLIS	5	
Plastic lever lance mod. Industrial Volpitech 60 cm	163PV	5	
Plastic lever lance mod. Industrial Volpitech 60 cm - Blister	163PVBLIS	5	

## CLICK/GET • SPRAYING LANCE



167

Model	Code	Min. q.ty	
Click/Get lance 70 cm	167	5	
Click/Get lance 70 cm - Blister	167BLIS	5	

## TELESCOPIC • SPRAYING LANCE



1615/1



163PT

Model	Code	Min. q.ty	
Telescopic lance 0.75-1.25 m with Get nozzle	1615/1	5	
Telescopic lever lance 0.67-1.10 m with Get nozzle	163PT	5	



## SFERA/GET • SPRAYING LANCE • BRASS



1620/1

Model	Code	Min. q.ty	
Lance with sphere tap and Get nozzle 68 cm	1620/1	5	
Lance with sphere tap and Get nozzle 68 cm - Blister	1620/1BLIS	5	

## STELLA/GET • SPRAYING LANCE • BRASS



168

Model	Code	Min. q.ty	
Stella/Get lever lance 70 cm	168	5	
Stella/Get lever lance 70 cm - Blister	168BLIS	5	



## PRESSURE REGULATOR

Model	Code	Min. q.ty	
Pressure regulator - Blister	163RPBLIS	5	

## CURVED LEVER LANCES FOR POLLINATION



1607



1608



927R1ORM



927R3ORM

Model	Code	Min. q.ty	
Plastic handle and special steerable nozzle for pollination	1607/1L	5	
40 cm curved lever lance for pollination with plastic handle and special steerable nozzle for pollination	1607/2L	5	
60 cm curved lever lance for pollination with brass handle and special steerable nozzle for pollination	1608/1L	5	
40 cm curved lever lance for pollination with brass handle and special steerable nozzle for pollination	1608/2L	5	
40 cm curved aluminium pole with nozzle for pollination	927R1ORM	5	
20 cm curved aluminium pole with nozzle for pollination	927R3ORM	5	

## NOZZLE FOR POLLINATION



208

Model	Code	Min. q.ty	
Nozzle for pollination with universal connection with Ø 0,8 hole	208	10	

## PROTECTIVE HOOD



300

Model	Code	Min. q.ty	
Protective hood	300	5	
Anti-drip valve with filter	ZZ1941A	10	
Yellow fan nozzle (2 bar lt/min.0,65)	ZZ1941G	10	
Plastic ring 3/8	PL01C02	10	
30° joint with ring for protective hood	30D5	5	
Nozzle complete with sleeve and ring nut	30D6	10	



Q.ty: PIECES 5  
Dim.(cm): 40x30x34  
Weight (kg): 2,300



Q.ty: PIECES 200

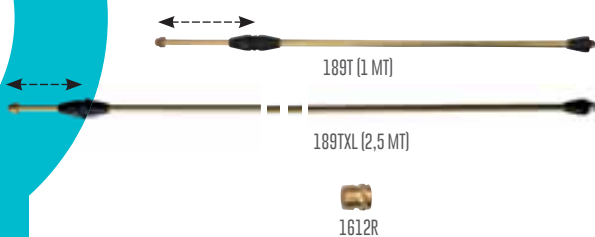


## EXTENSION POLE IN ALUMINIUM, BRASS AND STAINLESS STEEL



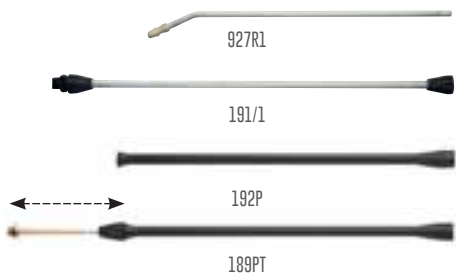
Model	Code	Min. q.ty	
Aluminium extension pole ø 10 50 cm	190/1	10	
Aluminium extension pole ø 10 50 cm - Blister	190/1BLIS	5	
Aluminium extension pole ø 10 70 cm	190/2	10	
Brass extension pole ø 10 50 cm	189/1	10	
Brass extension pole ø 10 50 cm - Blister	189/1BLIS	5	
Brass extension pole ø 10 70 cm	189/3	10	
O-ring for end fittings	ZZOR108	10	
Curved stainless steel extension pole ø 10 75 cm	187R2C	10	
Curved aluminium pole ø 8 40 cm	1612R1C	5	
Aluminium pole ø 8 60 cm	1612R2C	5	
Curved stainless steel extension pole ø 10 75 cm - Blister	187R2CBLIS	5	
Connection for curved stainless steel pole / Elettro-plus handle	165/18	10	

## TELESCOPIC EXTENSION AND 3/8 BRASS FITTING



Model	Code	Min. q.ty	
Telescopic extension 55 cm to 100 cm with brass fitting	189T	5	
Telescopic extension 125 cm to 250 cm with brass fitting	189TXL	5	
3/8 brass fitting for handles 1612A, 1612AL, 1619, 1692, 196, 193	1612R	10	

## EXTENSION POLE FOR GREEN FOX



Model	Code	Min. q.ty	
Aluminium pole 40 cm with adjustable miniget	927R1	10	
Aluminium extension pole ø 10 50 cm with fittings	191/1	10	
Plastic extension pole 42 cm	192P	10	
Telescopic extension pole 50/90 cm	189PT	10	

## CLICK HANDLE

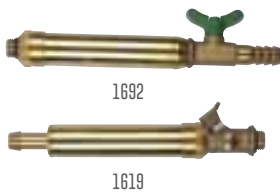


Model	Code	Min. q.ty	
Lever click handle ø 8	163R	10	
Lever click handle ø 8 - Blister	163RBLIS	10	
Lever click handle ø 10	167R	10	
Lever click handle ø 10 - Blister	167RBLIS	10	



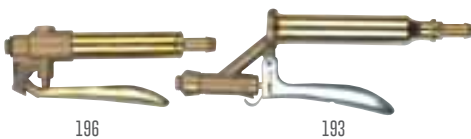
## PLASTIC HANDLE

Model	Code	Min. q.ty	
Rapid lever handle	1611AL	10	
Plastic lever handle "Rondinella" with brass fitting	1612AL	10	
Rapid handle	1611A	10	
Rapid handle - Blister	1611ABLIS	5	
Universal handle	1612A	10	
Universal handle - Blister	1612ABLIS	5	
Universal fitting	1612E	10	
Brass hose fitting with O-ring for Rapid and Universal handle	1612PG	10	



## HANDLE WITH SPHERE TAP

Model	Code	Min. q.ty	
UNI handle with filter	1692	5	
Handle with sphere tap	1619	5	
Handle with sphere tap - Blister	1619BLIS	5	



## LEVER HANDLE WITH TAP

Model	Code	Min. q.ty	
Lever handle "Stella" with tap and filter	196	5	
Lever handle "Stella" with tap and filter - Blister	196BLIS	5	
Lever handle with tap and filter	193	5	



## STEERABLE NOZZLES

Model	Code	Min. q.ty	
"Maxi" nozzle with $\varnothing$ 1.3 hole	214	10	
"D.T." nozzle with $\varnothing$ 1.3 hole	213	10	
"D.T." cap with $\varnothing$ 1.3 hole	215	10	

## STEERABLE NOZZLES



930A



928



930

Model	Code	Min. q.ty	
"GET" steerable nozzle with $\varnothing$ 1.5 hole	928	10	
"GET" steerable nozzle with $\varnothing$ 1.5 hole - Blister	928BLIS	5	
"MEC" steerable nozzle with ceramic plate with $\varnothing$ 1.0 hole	930/10	10	
"MEC" steerable nozzle with ceramic plate with $\varnothing$ 1.2 hole	930/12	10	
"MEC" steerable nozzle with ceramic plate with $\varnothing$ 1.5 hole	930/15	10	
Ceramic plate with $\varnothing$ 1.0 hole	930B10	10	
Ceramic plate with $\varnothing$ 1.2 hole	930B12	10	
Ceramic plate with $\varnothing$ 1.5 hole	930B15	10	
O-ring gasket 3043	ZZOR3043	10	
Ring nut	930A	5	

## FIXED NOZZLES



219/2



222A



229



930A



220



222B

Model	Code	Min. q.ty	
"RILEY" nozzle with 2-hole body	219/2	10	
Riley cap with $\varnothing$ 1.5 hole	222A	10	
Rose nozzle with ceramic plate with $\varnothing$ 1.0 hole	229/10	10	
Rose nozzle with ceramic plate with $\varnothing$ 1.2 hole	229/12	10	
Rose nozzle with ceramic plate with $\varnothing$ 1.5 hole	229/15	10	
Ceramic plate with $\varnothing$ 1.0 hole	930B10	10	
Ceramic plate with $\varnothing$ 1.2 hole	930B12	10	
Ceramic plate with $\varnothing$ 1.5 hole	930B15	10	
Plastic conveyor	930D	10	
O-ring gasket 3043	ZZOR3043	10	
"MERIDIONALE" nozzle with 2-hole body	220	10	
Meridionale cap with $\varnothing$ 1.3 hole	222B	10	
Ring nut	930A	5	

## BI/TRIWAY NOZZLES



223C



223



224



224C



203



226A



226B

Model	Code	Min. q.ty	
Double nozzle	223	5	
Curved double nozzle	223C	5	
Triple nozzle	224	5	
Curved triple nozzle	224C	5	
Elbow fitting	203	10	
Brass elbow fitting with gasket - Blister	203BLIS	5	
Piemonte cap with $\varnothing$ 1.2 hole	226A	10	
Piemonte propeller	226B	10	

## FAN NOZZLES



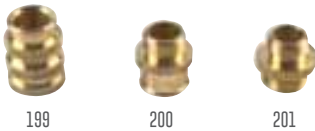
Model	Code	Min. q.ty	
"American" type fan nozzle	217	10	
"AILA" fan nozzle with blue internal fan nozzle (2 bar ft/min.1.00)	218	10	
"AILA" fan nozzle with blue internal fan nozzle (2 bar ft/min.1.00) - Blister	218BLIS	5	
Blue fan nozzle (2 bar ft/min. 1.00)	ZZ1941B	10	
Magenta fan nozzle (2 bar ft/min. 0.82)	ZZ1941M	10	
Yellow fan nozzle (2 bar ft/min. 0.65)	ZZ1941G	10	
Green fan nozzle (2 bar ft/min. 0.50)	ZZ1941V	10	
Ring nut	930A	5	

## TAP



Model	Code	Min. q.ty	
Female tap with thread	231	10	
Male tap with thread	232	10	

## FITTINGS



Model	Code	Min. q.ty	
Female terminal fitting	199	10	
Male terminal fitting	200	10	
Fitting with two male threads (1/4 Gas step downy mildew)	201	10	

## HOSE FITTINGS



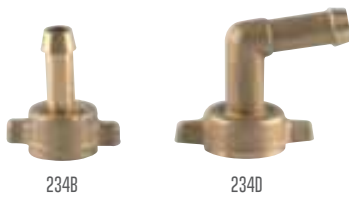
Model	Code	Min. q.ty	
Double joint with finned ring hose pitch step 1/2 gas:			
For hoses ø 8	252A8	10	
For hoses ø 10	252A10	10	
1/2" Nipple	252/1	10	
3-piece fitting with 1/2" ring hose for hoses:			
mm. ø 8	254/8	5	
mm. ø 10	254/10	5	
One-piece fitting for hoses:			
mm. ø 8	731/8	10	
mm. ø 10	731/10	10	



## COMPLETE HEAD FOR LANCE

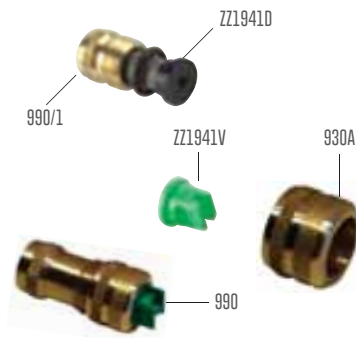
Model	Code	Min. q.ty	
Complete head for lance 174 and 180	933	5	
Cap	933/2	10	
Gasket	ZZ933/3	10	
Nozzle support	933/4	10	
Stainless steel nozzle with Ø 1.0 hole	933/10	10	
Stainless steel nozzle with Ø 1.2 hole	933/12	10	
Stainless steel nozzle with Ø 1.5 hole	933/15	10	
Stainless steel nozzle with Ø 1.8 hole	933/18	10	
Stainless steel nozzle with Ø 2.0 hole	933/20	10	
Stainless steel nozzle with Ø 2.5 hole	933/25	10	

## 1/2" HOSE FITTING



Model	Code	Min. q.ty	
Hose fitting with 1/2 gas finned fitting for Ø 8 hoses	234B8	10	
Hose fitting with 1/2 gas finned fitting for Ø 10 hoses	234B10	10	
Hose fitting with 1/2 gas finned fitting for Ø 13 hoses	234C13	10	
Elbow hose fitting with 1/2 gas finned fitting Ø 10	234D	10	
Flat gasket 1/2 gas 18x12x2	Y6UP18	10	

## FAN NOZZLE WITH FILTER



Model	Code	Min. q.ty	
Fan nozzle with filter	990	5	
Ring nut	930A	5	
Fan nozzle	ZZ1941V	5	
Filter	ZZ1941D	5	
Nozzle body	990/1	5	

## MIRROR NOZZLES



Model	Code	Min. q.ty	
Mirror nozzle with DH2 nozzle	950	10	
Ring nut	930A	10	
Mirror nozzle	TK2	10	
O-ring seal	ZZOR3043	10	
3/8" Fitting	1612R	10	



## FILTER FOR HANDLES



197C

Model	Code	Min. q.ty	
Filter for handles DT & UNI	197C	10	

## 3/8" HOSE FITTING



234A

Model	Code	Min. q.ty	
Hose fitting with 3/8 gas finned fitting for Ø 8 hoses	234A8	10	
Hose fitting with 3/8 gas finned fitting for Ø 10 hoses	234A10	10	
Flat gasket 3/8 gas 15.5x10x2	YGUP15	10	

## MITRA LANCE FOR HIGH PRESSURE



176

Model	Code	Min. q.ty	
Mitra lance for high and very high pressure with nozzle Ø 2.0	176	1	
Ceramic nozzle for Mitra and Jet lance Ø 1,0	176W10	1	
Ceramic nozzle for Mitra and Jet lance Ø 1,2	176W12	1	
Ceramic nozzle for Mitra and Jet lance Ø 1,5	176W15	1	
Ceramic nozzle for Mitra and Jet lance Ø 1,8	176W18	1	
Ceramic nozzle for Mitra and Jet lance Ø 2,0	176W20	1	
Ceramic nozzle for Mitra and Jet lance Ø 2,5	176W25	1	
Ceramic nozzle for Mitra and Jet lance Ø 3,0	176W30	1	
Ceramic nozzle for Mitra and Jet lance Ø 3,5	176W35	1	
Nylon closing insert	176/18	1	

## MITRA ECO LANCE FOR HIGH PRESSURE



177

Model	Code	Min. q.ty	
Mitra Eco lance for high and very high pressure with nozzle Ø 2.0	177	1	

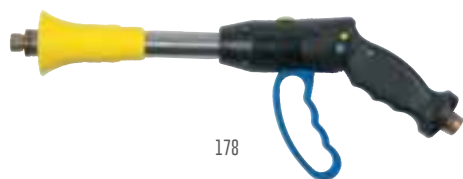
## JET LANCE JET LANCE



179

Model	Code	Min. q.ty	
Jet lance for high pressure Ø 2.0	179	1	

## FOX LANCE FOR HIGH PRESSURE



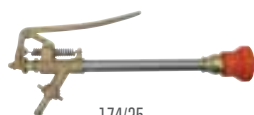
178

Model	Code	Min. q.ty	
Fox lance for high pressure with nozzle $\varnothing$ 2.0 equipped with two spare nozzles with hole $\varnothing$ 1.8 and hole $\varnothing$ 2.5	178	1	
Ceramic nozzle for Fox lance $\varnothing$ 1.8	178/1	1	
Nozzle support for Fox lance	178/2	1	
Nozzle $\varnothing$ 1.0 + support + gasket for Fox lance	178K10	1	
Nozzle $\varnothing$ 1.2 + support + gasket for Fox lance	178K12	1	
Nozzle $\varnothing$ 1.5 + support + gasket for Fox lance	178K15	1	
Nozzle $\varnothing$ 1.8 + support + gasket for Fox lance	178K18	1	
Nozzle $\varnothing$ 2.0 + support + gasket for Fox lance	178K20	1	

## LEVER LANCE



174/60



174/25

Model	Code	Min. q.ty	
Steerable lever lance for high pressure approx. 60 cm with nozzle $\varnothing$ 1.5	174/60	1	
Steerable lever lance for high pressure approx. 25 cm with nozzle $\varnothing$ 1.5	174/25	1	
Lance diffuser for high pressure with nozzle $\varnothing$ 1.2	174D12	1	
Lance diffuser for high pressure with nozzle $\varnothing$ 1.5	174D15	1	

## LANCE WITH HANDLE



180/65



180/30

Model	Code	Min. q.ty	
Steerable lance with handle for high pressure approx. 65cm with nozzle $\varnothing$ 1.5	180/65	1	
Steerable lance with handle for high pressure approx. 30cm with nozzle $\varnothing$ 1.5	180/30	1	
Lance diffuser for high pressure with nozzle $\varnothing$ 1.2	174D12	1	
Lance diffuser for high pressure with nozzle $\varnothing$ 1.5	174D15	1	

## PVC HOSE

WITH NYLON INSERTS FOR KNAPSACK AND COMPRESSION SPRAYERS (ROLLS OF 50 METERS)



PVC10

Model	Code	Min. q.ty	
PVC hose $\varnothing$ 7x12	PVC10	50	
Model	Code	Min. q.ty	
PVC hose sections 120 cm black	PVC120	10	
PVC hose sections 120 cm yellow-black	PVC120G	10	
PVC hose sections 150 cm yellow-black	PVC150G	10	
PVC hose sections 120 cm black - Blister	PVC120BLIS	10	
PVC hose sections 120 cm yellow-black - Blister	PVC120GBLIS	10	
PVC hose sections 150 cm yellow-black - Blister	PVC150GBLIS	10	



TP1040

TP825

## HIGH PRESSURE PLASTIC HOSE WITH HIGH PRESSURE CANVAS (IN 50 METRE ROLLS)

Model	Code	Min. q.ty	
High pressure hose 8x13; 20 bar	TP825	50	
High pressure hose 10x17; 40 bar	TP1040	50	



1342

## EDILE BRASS SPRAYER

- PROFESSIONAL BRASS SPRAYER
- PEAK PRESSURE 8 BAR
- SUCTION RUBBER HOSE
- PLASTIC FILTER
- NET PUMP WEIGHT 5KG APPROX.
- IDEAL FOR SPRAYING LIME AND OTHER WATER-BASED PRODUCTS ONTO WALLS

Model	Code	Min. q.ty	
Edile sprayer	1342	1	
			spare parts on page 68



310/40 310/25

## PLASTIC STRAP WITH NYLON INSERT

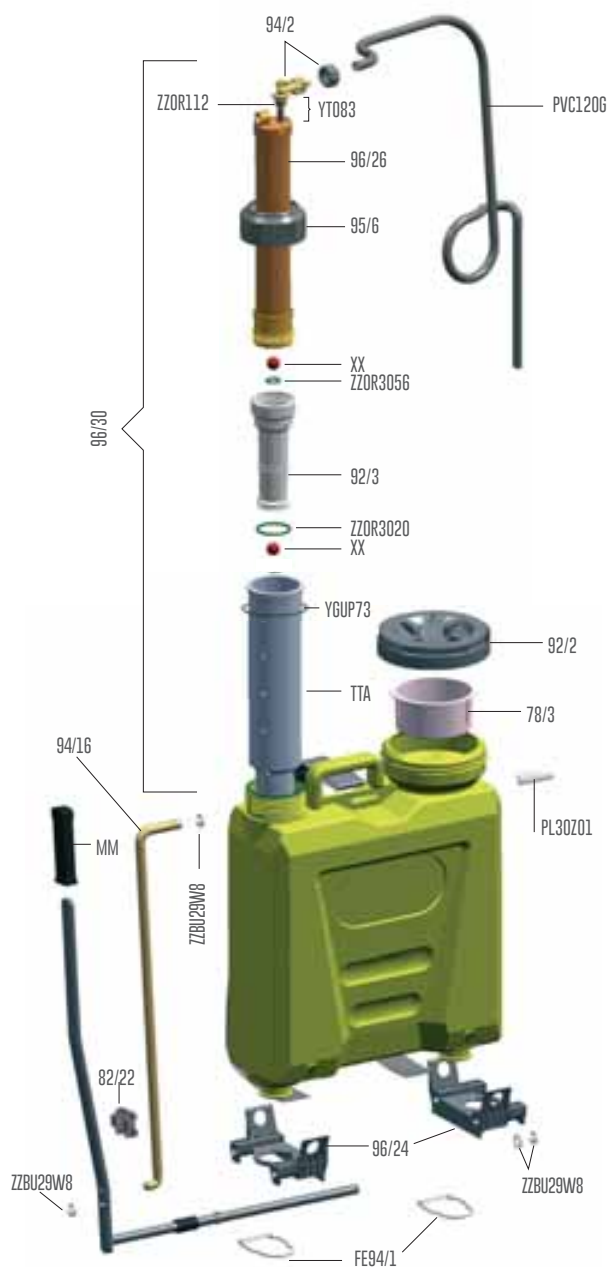
Model	Code	Min. q.ty	
Plastic strap with nylon inserts 40mm wide per m	310/40	50	
Plastic strap with nylon inserts 25mm wide per m	310/25	50	



## HOSE CLAMP FOR RUBBER HOSE

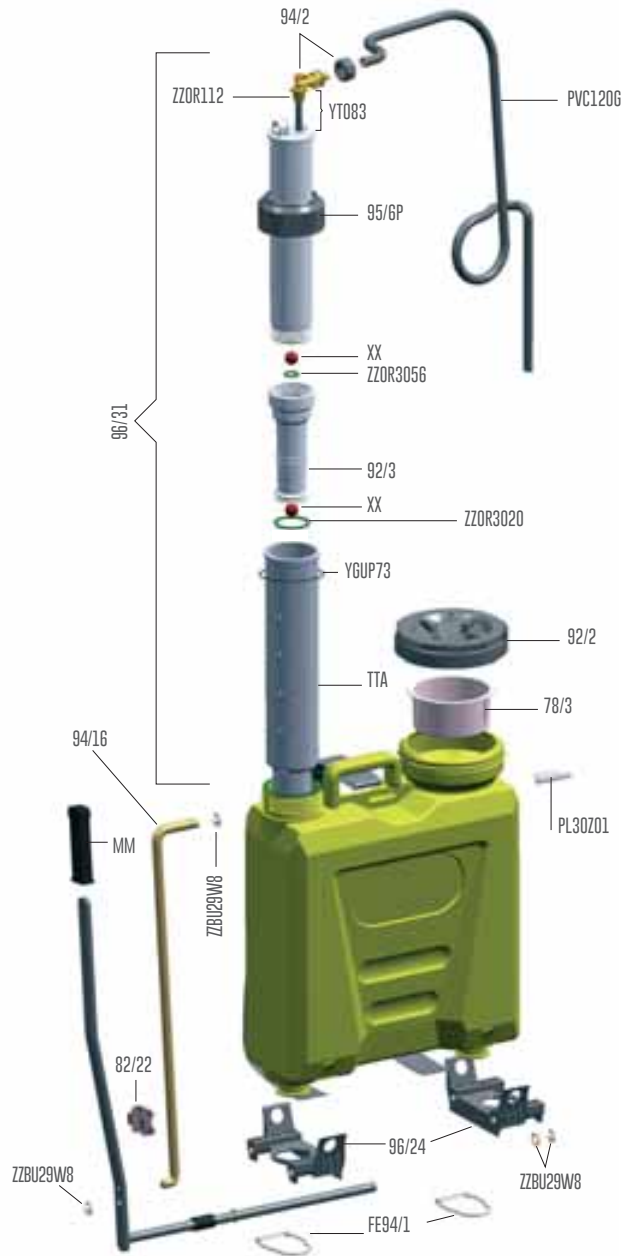
Model	Code	Min. q.ty	
from mm 9 to mm 17	ZZ314/9	100	
from mm 14 to mm 22	ZZ314/14	50	
from mm 20 to mm 30	ZZ314/20	50	
from mm 24 to mm 44	ZZ314/24	50	
from mm 47 to mm 67	ZZ314/47	50	
from mm 62 to mm 82	ZZ314/62	50	
from mm 77 to mm 97	ZZ314/77	25	

# UNI • BRASS PUMP KNAPSACK SPRAYER



Q.ty	Code	Description	Q.ty	Code	Description
2	78/3	Plastic filter Ø 100	2	96/4	Shoulder strap with wide hooks
2	82/22	Handle blocking system	2	96/24	Base for Mod.78 15L and Mod. 81
2	82/30	Complete brass pump (old model)	2	96/26	Upper brass chamber
2	82/31	Complete plastic pump (old model)	2	96/30	Complete brass pump
2	92/2	Screw lid with valve	2	96/31	Complete plastic pump
2	92/3	O-ring Piston 3-020	1	94/16	Zainc-coated lever
2	94/2	Hose fitting with ring			
2	95/6	Pump guide ring nut for UNI brass body			
2	95/6P	Pump guide ring nut Ø 52 for UNI plastic body			

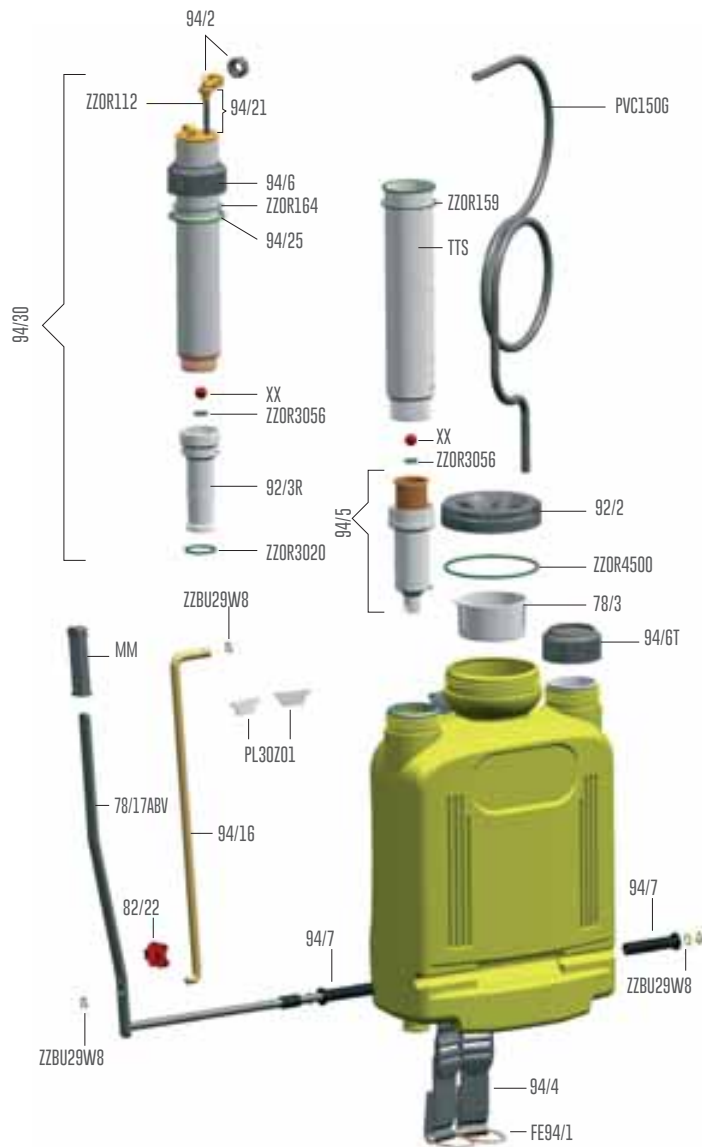
**UNI • PLASTIC PUMP**  
KNAPSACK SPRAYER



Q.ty	Code	Description	Q.ty	Code	Description
2	AA	Fixed piston with valve housing O-ring fitting, piston seal O-ring and gasket	10	PL30Z01	Plastic tab for shoulder strap
10	ZZBU29W8	Seeger Ø 8	10	PVC1206	Delivery hose 120 cm yellow-black
10	FE94/1	Wide hook for shoulder strap	2	TT	Pump guide for old model
2	MM	Handle on lever	2	TTA	Pump guide
10	ZZOR3-020	Piston seal O-ring	10	YGUP73	Flat PVC gasket 73x66x2
10	ZZOR3-020V	FPM piston seal O-ring	10	YT083	Suction tube for UNI
10	ZZOR3056	Internal valve housing O-ring	10	XX	Stainless steel sphere valve
10	ZZOR4500	Cover seal O-ring	10	ZZOR112	Hose fitting O-Ring



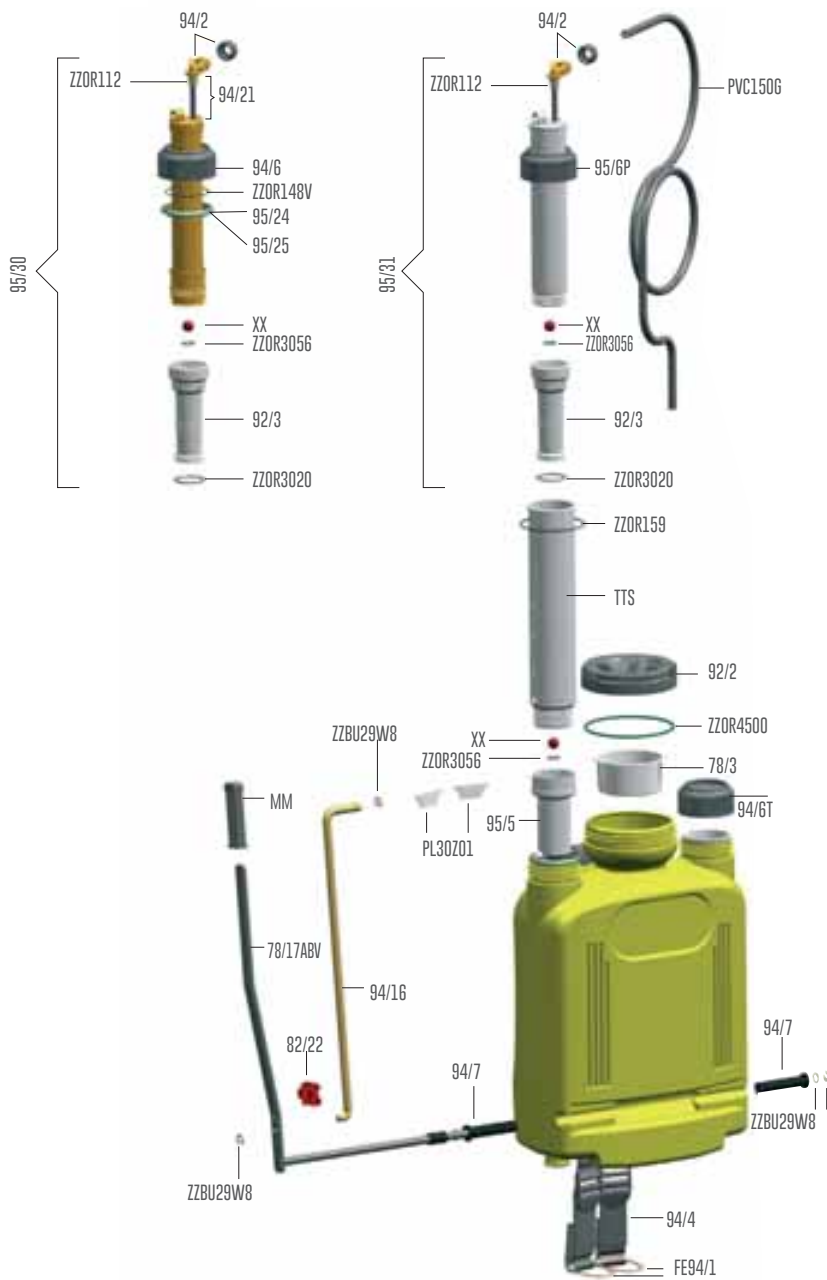
# SUPER • STAINLESS STEEL PUMP KNAPSACK SPRAYER



Q.ty	Code	Description	Q.ty	Code	Description
2	78/17ABV	Varnished hand-lever with rod	2	94/7	Crosspiece guide bush
2	78/3	Plastic filter Ø 100	2	94/16	Zinc-coated lever
2	82/22	Handle blocking system	2	94/21	Suction tube for Super-Record
2	92/2	Screw lid with valve	2	94/25	Seal ring Ø 60 for Super
2	92/3	O-ring piston 3-020 for Record	2	94/30	Stainless steel pump body for Super
2	92/3R	O-ring support piston 3-020 in Rilsan for Super	2	94/30M	Stainless steel pump body for super complete with sleeve
2	94/2	Plastic hose fitting with ring	2	95/4	Complete shoulder straps for Record
2	94/4	Shoulder strap for Super	1	95/23	Brass pump ring nut replacement kit mod.Record/Uni/Fox
2	94/5	Cylinder with brass sleeve for Super	10	ZZOR112	Hose fitting O-Ring
2	94/6	Pump guide ring nut for Super-Record			
2	94/6T	Blind ring nut for Super-Record			



# RECORD • BRASS PUMP • PLASTIC PUMP KNAPSACK SPRAYER



Q.ty	Code	Description	Q.ty	Code	Description
2	95/5	Plastic cylinder for Record	10	ZZOR148V	Pump seal O-ring for Record
2	95/6P	Pump guide ring nut Ø 52 Record plastic	10	ZZOR159	O-ring sleeve
2	95/24	Open ring Ø 44	10	ZZOR164	Pump seal O-ring Super
2	95/25	Seal ring	10	ZZOR3-020	Piston seal O-ring
2	95/30	Brass pump body for Record	10	ZZOR3-020V	FPM piston seal O-ring
2	95/30M	Brass pump body for record complete with sleeve	10	ZZOR3056	Sphere valve seat O-ring
2	95/31	Plastic pump body for Record	10	ZZOR4500	Cover seal O-ring
2	95/31M	Plastic pump body for Record complete with sleeve	10	PL30Z01	Plastic tab for shoulder straps
10	ZZBU29W8	Seeger Ø 8	10	PVC1506	Plastic hose 8x13 150 cm
10	FE94/1	Shoulder strap hook for per Super	2	TTS	Pump guide Super
2	MM	Handle on lever	10	XX	Stainless steel sphere valve 5/8

# ELETTROPLUS

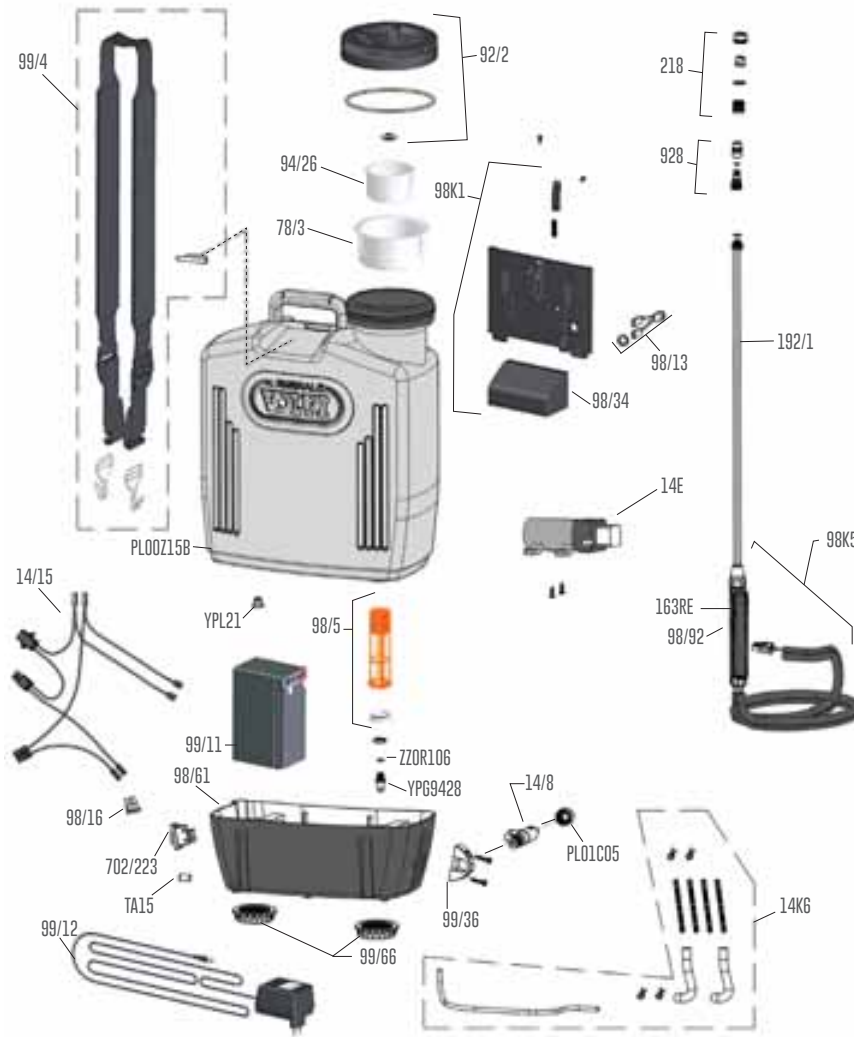
## ELECTRIC KNAPSACK SPRAYER



Q.ty	Code	Description	Q.ty	Code	Description
1	10/8	Complete pressure regulator EP	1	99/11	Battery 12V 7Ah
1	10/12	Battery charger 12V EP	1	99/34	Plunging piston pump without motor
1	10/15	Complete wiring EP	1	99/36	Pressure regulator support EP
1	10/16	Fuse 5x20 5A	1	SVE72	Electric motor
1	10/54	Electronic board EP	1	10E	Plunging piston pump with motor 5.5 bar
1	10/55	Wave guide for LED EP	1	99K6	Complete set of hoses EP
1	10/98	Complete manometer 1±10 bar x 1/8"	1	165RE	Handle with manometer EP
1	10K5	Handle complete with hose EP	10	192/3	Extension pole Ø 10x500 EP
2	78/3	Plastic filter Ø 100	10	218	"AILA" nozzle
2	92/2	Screw lid with valve and O-ring	1	702/223	ON-OFF switch
1	94/26	Measuring cup	10	928	Adjustable cone nozzle
1	98/34	Box card holder	1	PL00Z15E	Yellow tank EP
1	98/5	Complete suction filter	1	PL01C05	Tube locking ring
1	98/13	Socket for battery charger	10	PL30Z01	Plastic tab for strap
1	98/61	Tank base EP	1	SVE07	Fuse holder 5x20
1	98/66	Tank locking 1½" ring nut	10	ZZFE70/1	Hook for shoulder strap
1	98/92	Micro-switch EP	10	ZZOR106	Body seal O-ring
1	98K1	Battery door EP	1	YPG9428	Suction hose fitting EP
1	99/4	Complete adjustable shoulder straps	1	YPL21	Rubber hose grommet EP

# ELETTROEASY

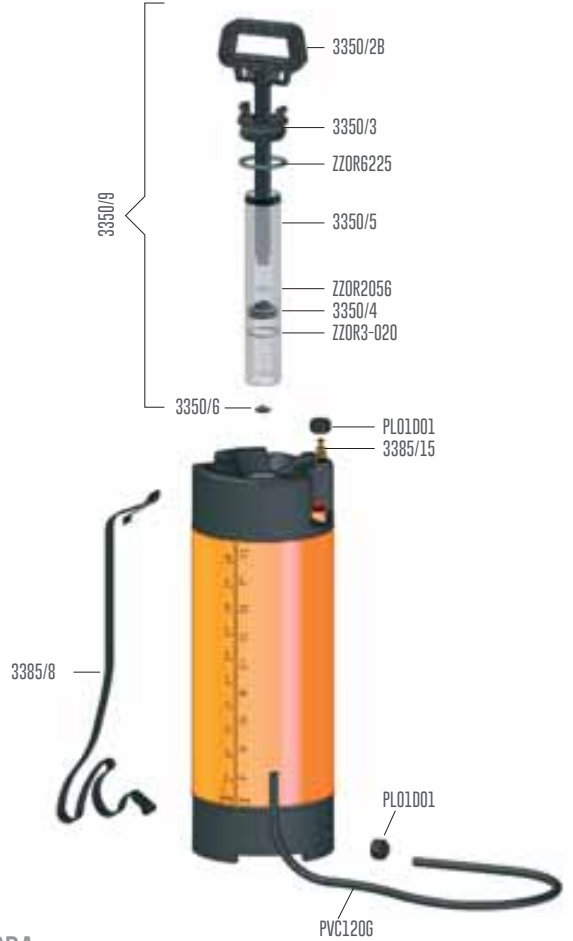
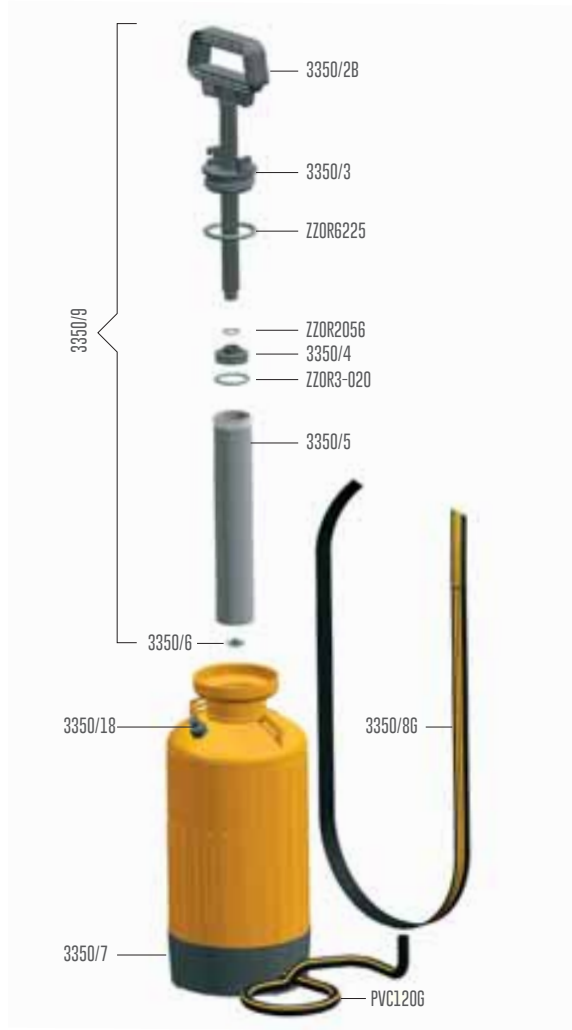
## ELECTRIC KNAPSACK SPRAYER



Q.ty	Code	Description	Q.ty	Code	Description
1	94/26	Measuring cup	1	98/61	Tank base
2	78/3	Plastic filter Ø 100	1	98/66	Tank locking 1½" ring nut
2	92/2	Screw lid with valve and O-ring	1	PLO1C05	Tube locking ring
10	ZZOR4500	Cover seal O-ring	1	14E	Diaphragm pump with motor
1	PLO0Z15B	Electric pump white tank	1	14/8	Complete pressure regulator
1	YPL21	Rubber hose grommet	1	14K6	Complete set of hoses 14MBR
1	99/11	Battery 12V 7.2Ah	10	218	"AILA" nozzle
1	99/12	Battery charger 12V	10	928	Adjustable cone nozzle
1	98/13	Socket for battery charger	1	98K5	Handle complete with hose
1	14/15	Complete wiring	1	98/92	Micro-switch
1	98/16	Blade fuse 5A	1	163RE	Handle
1	TA15	Finned cap D15	10	192/1	Extension pole Ø 10x500
1	702/223	ON-OFF switch			
1	98K1	Battery door			
1	99/4	Complete adjustable shoulder straps			
1	99/36	Pressure regulator support			
1	98/5	Complete suction filter			
10	ZZOR106	Body seal O-ring			
1	YP69428	Suction hose fitting			



# GARDEN AND FLORA COMPRESSION SPRAYER



## GARDEN

## FLORA

Q.ty	Code	Description
2	3350/2B	Pumping handle for Garden
2	3350/3	Guide cap
10	3350/4	O-ring piston for Garden
2	3350/5	Cylinder
10	3350/6	Bottom valve
10	3350/6V	FPM Bottom valve
2	3350/7	Circular base for Garden
2	3350/8G	Shoulder strap for Garden
2	3350/9	Complete pump for Garden and Flora
5	3350/18	Pressure discharge valve for Garden
10	ZZOR2056	O-ring to the pumping handle
10	ZZOR3-020	Piston seal O-ring
10	ZZOR3-020V	FPM seal O-ring
10	ZZOR6225	Cover seal O-ring
10	PL01D01	1/2" ring
10	PVC1206	Delivery hose
1	3350KBLIS	Spare part kit for Garden - Blister
10	218	"AILA" nozzle

Q.ty	Code	Description
2	3350/2B	Pumping handle for Flora
2	3350/3	Guide cap
10	3350/4	O-ring piston
2	3350/5	Cylinder
10	3350/6	Bottom valve
10	3350/6V	FPM Bottom valve
2	3385/8	Shoulder strap with snap hooks
2	3350/9	Complete pump for Flora
2	3385/7	Circular base for Flora
5	3385/15	Pressure discharge valve for Flora
10	ZZOR2056	O-ring to the pumping handle
10	ZZOR3-020	Piston seal O-ring
10	ZZOR3-020V	FPM seal O-ring
10	ZZOR6225	Cover seal O-ring
10	PL01D01	1/2" ring



# DINAMICA AND SV80 DUSTERS



## DINAMICA ELECTRIC DUSTER

Q.ty	Code	Description
1	SVE15	Extension pole for SVE
1	SVE16	Pole with powder spreader for SVE
1	92/2	Screw lid with valve
1	SVE01K	Hopper assembly with worm screw, support, valve and lever
1	99/12	Battery charger 12V
1	SVE14K	Agitator holder bush assembly
1	SVE17	Suction side worm screw SVE
1	SVE118	SVE complete fan
1	SVE19	Motor side worm screw SVE
1	SVE20	Delivery hose connector D. 45 SVE
1	SVE121	Galvanised sheet fastening flange assembly SVE
1	SVE30	Spiral Delivery hose 45x55x700 SVE
1	99/4	Adjustable shoulder strap
1	PL30Z01	Plastic tab for shoulder straps
1	99/11	Battery 12V 7Ah
1	FE92/1	Narrow hook for shoulder strap
1	SVE03	Duster base for SVE
1	SVE07	Complete cylindrical fuse holder 5x20
1	SVE07F	Cylindrical fuse 5x20
1	702/223	On-off switch IP65 62
1	SVE24K	Complete wiring SVE
1	SVE25	Micro wiring SVE to motor and coax. socket
1	98/13	Battery charger connection socket
1	SVE72	Electric motor
1	SVE22	Fan shaft SVE
1	SVE11	Measuring device adjustment lever SVE
1	SVE10K	Micron support assembly with pin lever

## MANUAL DUSTER SV 80

Q.ty	Code	Description
1	19/4	Cylindrical tightening ring
1	ZZ19/52	Suction valve
1	92/2	Screw lid with valve
1	ZZOR233	O-ring to the piston
1	SV10	Complete piston
1	SV13	Pair of shoulder straps
1	SV14	Flexible delivery hose
1	SV15	Extension pole
1	SV16	Pole with powder spreader
1	SV17	Tie rod set 4 pieces
1	ZZSV3	Grinder tightening strap
1	SV4	Grinder assembly
1	SV6	Handle
1	SV7	Flange with piston guide hose
1	SV8A	Complete compression cylinder

# FOX 12 AND FOX 16 KNAPSACK SPRAYER



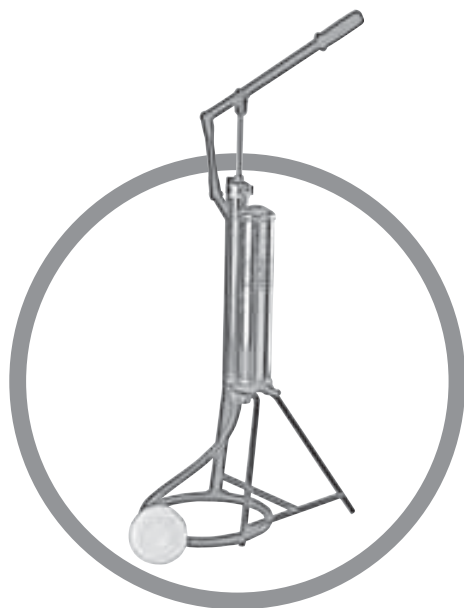
Q.ty	Code	Description	Q.ty	Code	Description
2	163/5R	Plastic hose fitting	10	FE92/1	Narrow hook for shoulder strap
2	910/16	Galvanised lever Ø 10	2	MM	Handle on lever
10	920/81	Stainless steel sphere valve 1/2"	2	92/17	Lever with support
10	99/81	Stainless steel sphere valve 3/8" (until 2014)	2	82/22	Handle blocking system
2	920/3	O-ring support piston d. 39	2	TTB	Pump guide d. 39
10	ZZOR139	Piston seal O-ring	2	920/30	Complete brass pump d. 39
10	ZZOR137	Piston seal O-ring (until 2014)	2	920/31	Complete plastic pump d. 39
1	95/6P	Guided ring nut for plastic pump	10	PVC120	Delivery hose 12x7x1200
1	95/6	Guided ring nut for brass pump	2	PLO1C01	Plastic ring 3/8"
2	92/2	Screw lid with valve	10	ZZBU29W8	Seeger Ø 8
2	78/3	Plastic filter Ø 100 plastic	10	ZZOR159	O-ring to the pump guide
2	92/4	Complete shoulder strap narrow hooks	2	PL30Z01	Plastic tab for shoulder strap

# GREEN 6 AND GREEN 8 COMPRESSION SPRAYER



Q.ty	Code	Description	Q.ty	Code	Description
5	163	Lever lance Spray/Get	2	320/8A	Complete shoulder strap for Green 6-8
5	320/8	Pressure discharge valve for Green 6-8	2	320/9	Complete pump for Green 6-8
10	3350/6	Bottom valve cylinder	10	ZZOR137	Piston seal O-ring
10	PVC120	Black PVC delivery tube 12x7x1200			

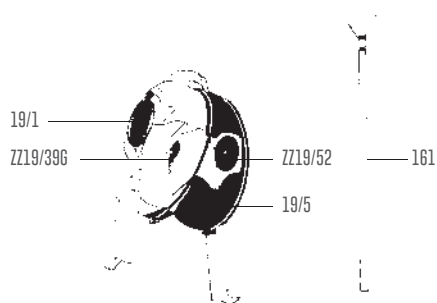
## EDILE BRASS SPRAYER



### EDILE BRASS SPRAYER

Q.ty	Code	Description
10	302/14	Rubber sphere valve Ø 14
2	ZZ305/35	Rubber piston Ø 35
10	XX	Stainless steel sphere valve
1	640/16	Plastic suction filter Ø 16

## BELLOWS



### GHIBLI BELLOWS

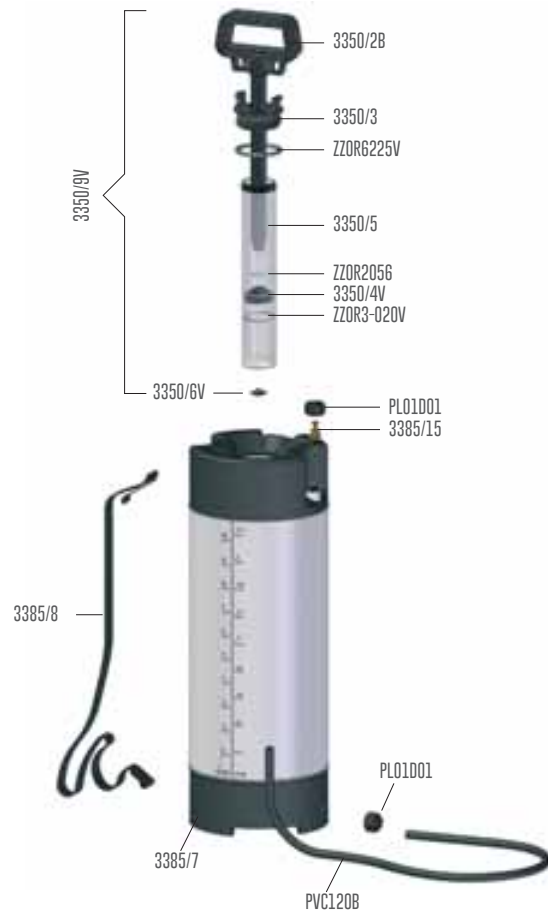
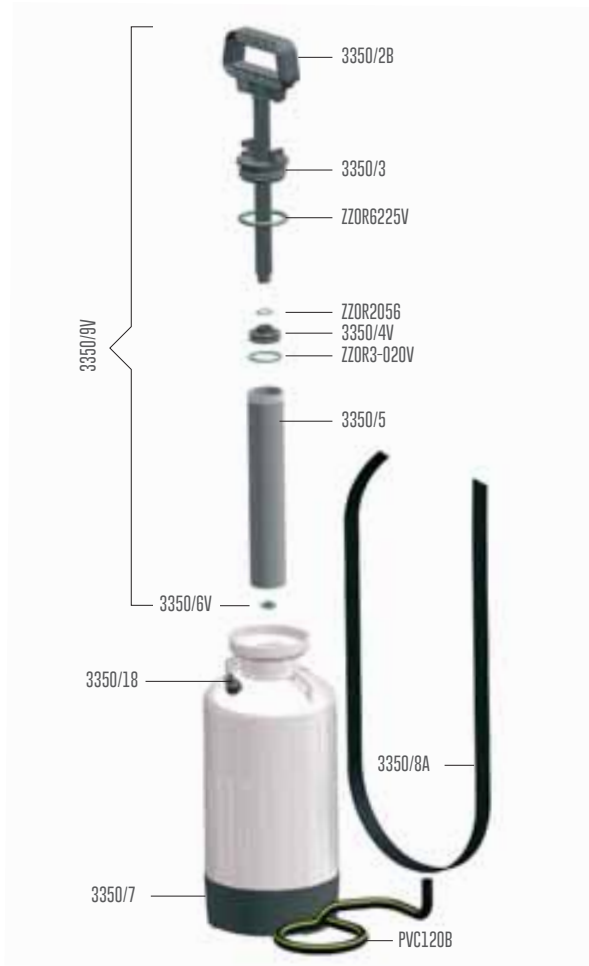
Q.ty	Code	Description
5	161	Powder spreader with extension pole
5	19/1	Closing cover
5	ZZ19/396	Flat valve Ø 39
5	19/5	Bellows
5	ZZ19/52	Flat valve Ø 52

### MISTRAL BELLOWS

Q.ty	Code	Description
1	18/1	Tank closing cover for Mistral bellows
1	18/4	Mistral bellows tightening clamp
1	18/6	PVC extension pole for Mistral
1	18/7	PVC powder spreader for Mistral

# VOLPITECH6 AND VOLPITECH10

## INDUSTRIAL SPRAYERS WITH FPM GASKETS



### VOLPITECH6

Q.ty	Code	Description
2	3350/2B	Manetta con biella per Volpitech6
2	3350/3	Tappo guida
2	3350/4V	Pistone porta OR per Volpitech6
2	3350/5	Cilindro
2	3350/6V	Valvola di fondo in FPM
2	3350/7	Cerchio di base per Volpitech6
2	3385/8	Bretella con moschettoni
2	3385/7	Cerchio di base per Volpitech10
5	3385/15	Valvola di scarico pressione per Volpitech10

### VOLPITECH10

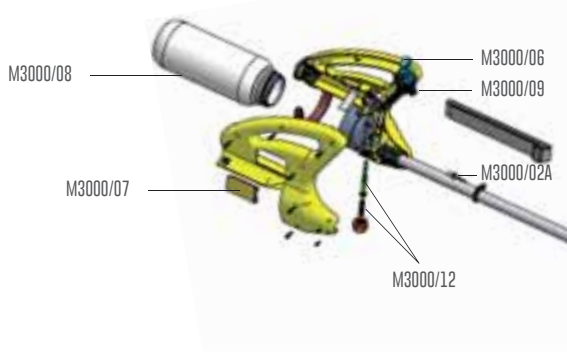
Q.ty	Code	Description
2	3350/8	Strap with pins for Volpitech6
2	3350/9V	Complete pump for Volpitech6 and Volpitech10 with FPM gaskets
5	3350/18	Pressure discharge valve for Volpitech6
10	ZZOR2056	O-ring to the pumping handle
10	ZZOR3-020V	FPM seal O-ring
10	ZZOR6225V	FPM cover seal O-ring
10	PL01D01	1/2" ring
10	PVC120B	Delivery hose black and white cm 120



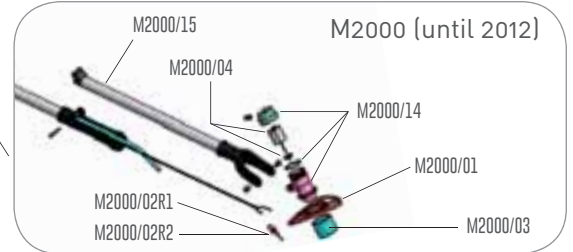
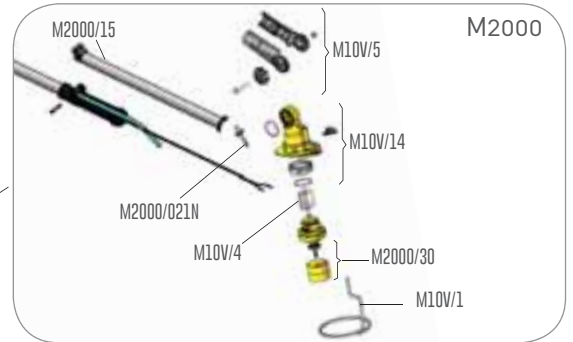
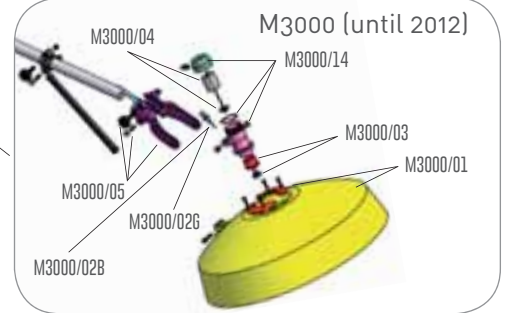
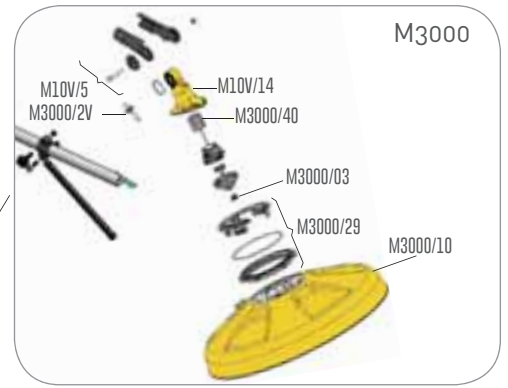
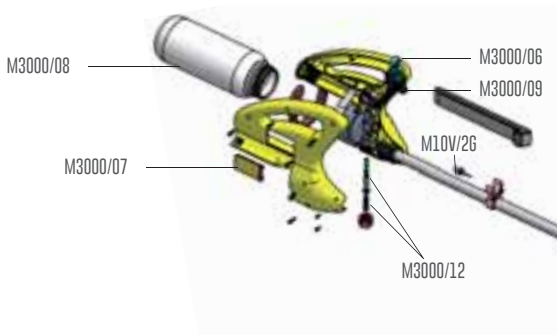
# M3000 AND M2000

## ELECTRIC MICRONIZER

### WITH HOOD



### WITHOUT HOOD

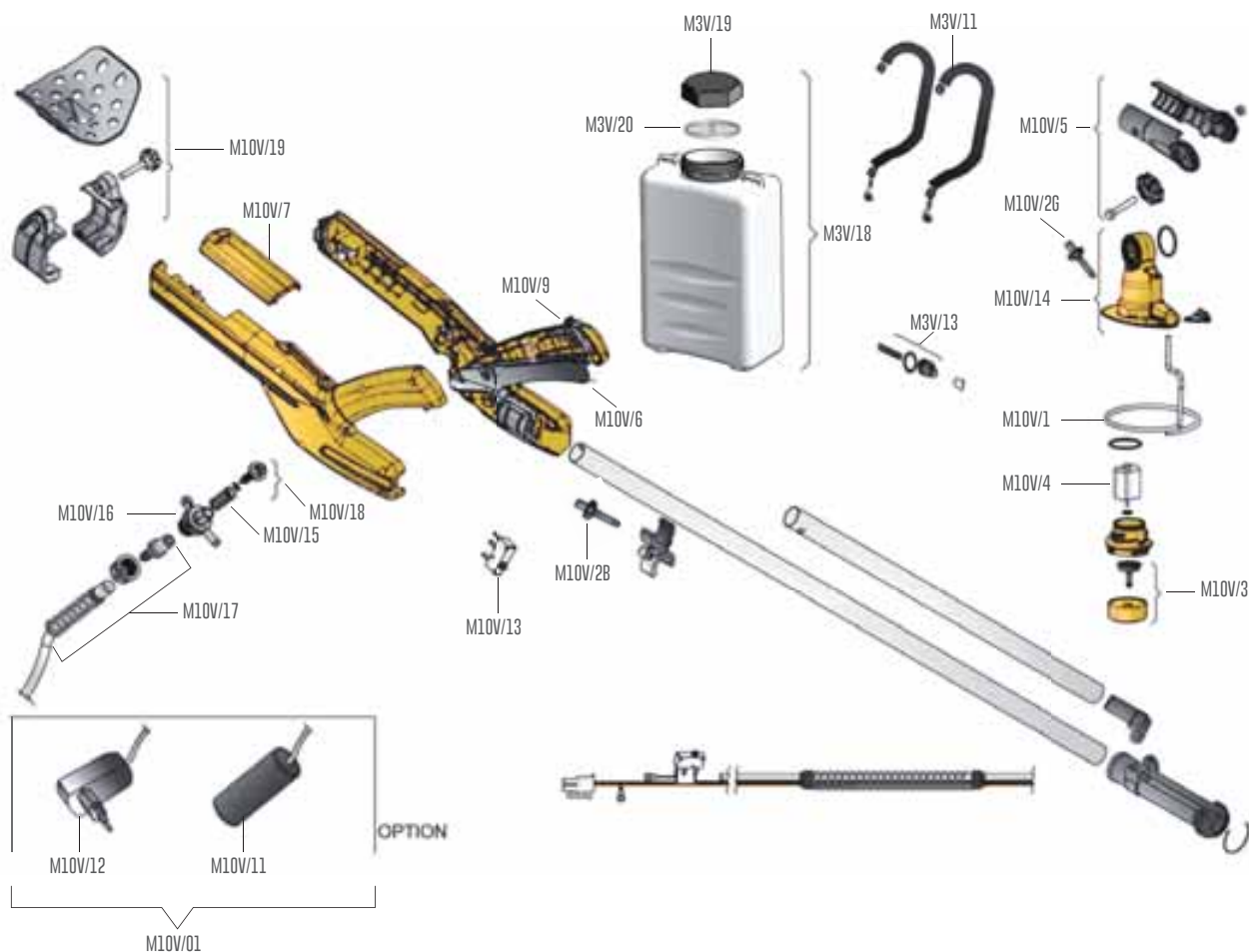


### M3000 / M3000 (UNTIL 2012)

Q.ty	Code	Description
1	M10V/5	Complete joint
1	M10V/14	Motor support
1	M3000/01	Protective hood M3000
1	M3000/02V	Green nozzle M3000 (Ø 0.8)
1	M3000/02A	Orange nozzle M3000 (Ø 1.0)
1	M3000/02B	Blue nozzle M3000 (Ø 1.1) (until 2012)
1	M3000/02G	Yellow nozzle M3000 (Ø 1) (until 2012)
1	M3000/03	Diffuser disc M3000
1	M3000/04	Motor 3H034123 with gasket M3000
1	M3000/05	Complete joint for M3000
1	M3000/06	ON-OFF switch M3000
1	M3000/07	Battery compartment cover for M3000
1	M3000/08	1 Liter tank
1	M3000/09	Switch block M3000
1	M3000/10	Protective hood Ø 35
1	M3000/12	Liquid opening valve M3000
1	M3000/14	Complete motor support
1	M3000/29	Hood fixing kit M3000
1	M3000/40	Motor for M3000

### M2000 / M2000 (UNTIL 2012)

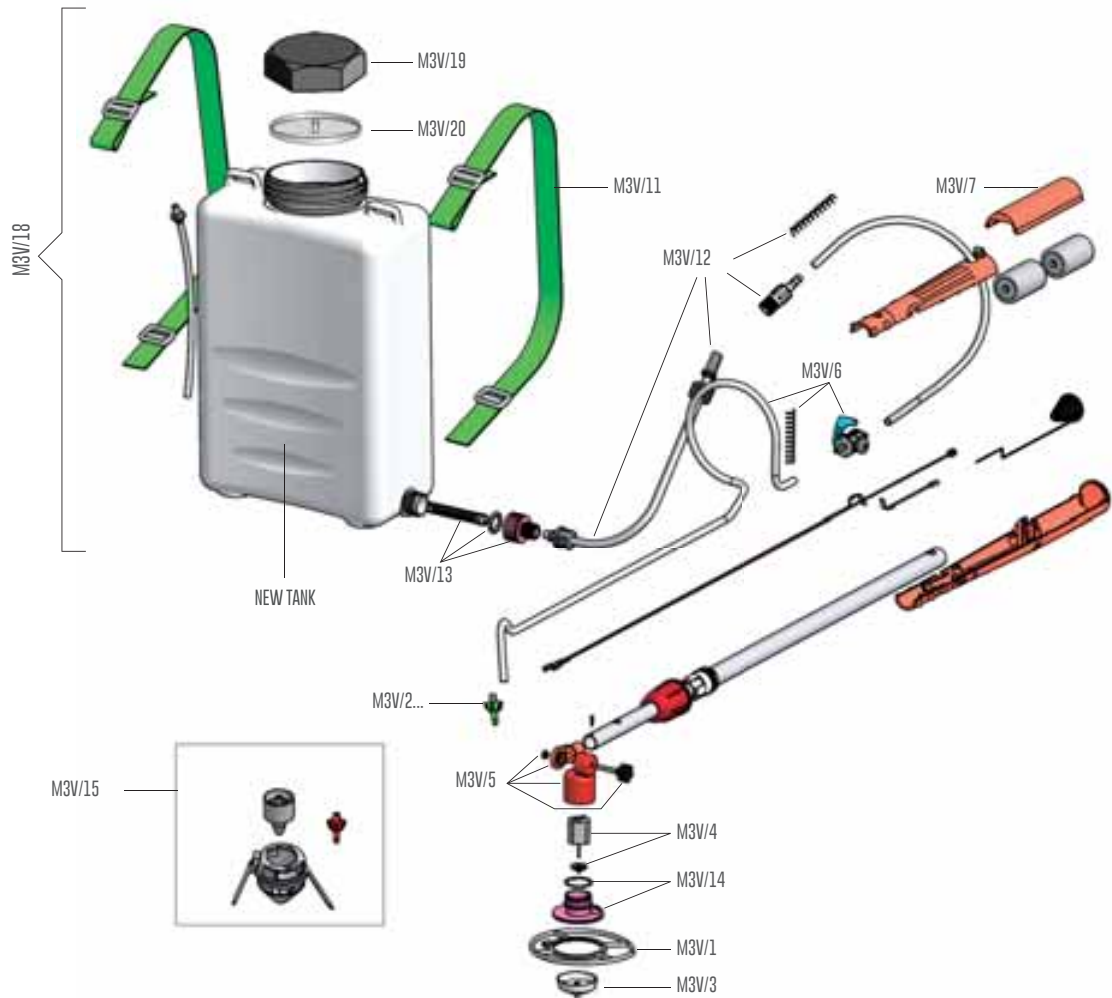
Q.ty	Code	Description
1	M10V/1	Protection ring
1	M2000/02R1N	Red nozzle M2000 Ø 1.2
1	M10V/26	Yellow nozzle M2000 and M10V Ø 1.0
1	M2000/02M	Brown nozzle M2000 Ø 1.4
1	M2000/02N	Black nozzle M2000 Ø 1.6
1	M2000/02R1	Red nozzle M2000 (one tooth Ø 1.2) (until 2012)
1	M2000/02R2	Red nozzle M2000 (two teeth Ø 1.4) (until 2012)
1	M10V/4	Complete motor
1	M10V/5	Complete joint
1	M10V/14	Motor support
1	M2000/01	Protection ring M2000
1	M2000/03	Diffuser disc M2000
1	M2000/04	Motor 3F301323 with gasket M2000
1	M2000/14	Complete motor support M2000
1	M2000/15	Folding arm M2000
1	M2000/30	Diffuser disc



Q.ty	Code	Description	Q.ty	Code	Description
1	M10V/1	Protection ring M10V	1	M10V/5	Complete joint M10V
1	M10V/01	Rechargeable lithium battery kit with charger	1	M10V/6	Actuation lever M10V
1	M10V/11	Lithium battery M10V	1	M10V/7	Battery compartment cover M10V
1	M10V/12	Battery charger for lithium battery M10V	1	M10V/9	Block lever M10V
1	M10V/26	Yellow nozzle M10V and M2000 Ø 1.0	1	M3V/11	Pair of complete shoulder straps
1	M10V/28	Blue nozzle M10V Ø 1.2	1	M3V/13	Filter with fitting
1	M10V/13	Micro-switch M10V	1	M3V/18	Complete tank for liquids with opening Ø 10
1	M10V/14	Motor support M10V	1	M3V/19	Tank cover opening Ø 10
1	M10V/15	Valve spring M10V	1	M3V/20	Filter for tank with opening Ø 10
1	M10V/16	Tap for liquid M10V			
1	M10V/17	Liquid valve M10V			
1	M10V/18	Tap set M10V			
1	M10V/19	Arm support M10V			
1	M10V/3	Filter with fitting			
1	M10V/4	Complete motor M10V			

# MICRONIZER M3V

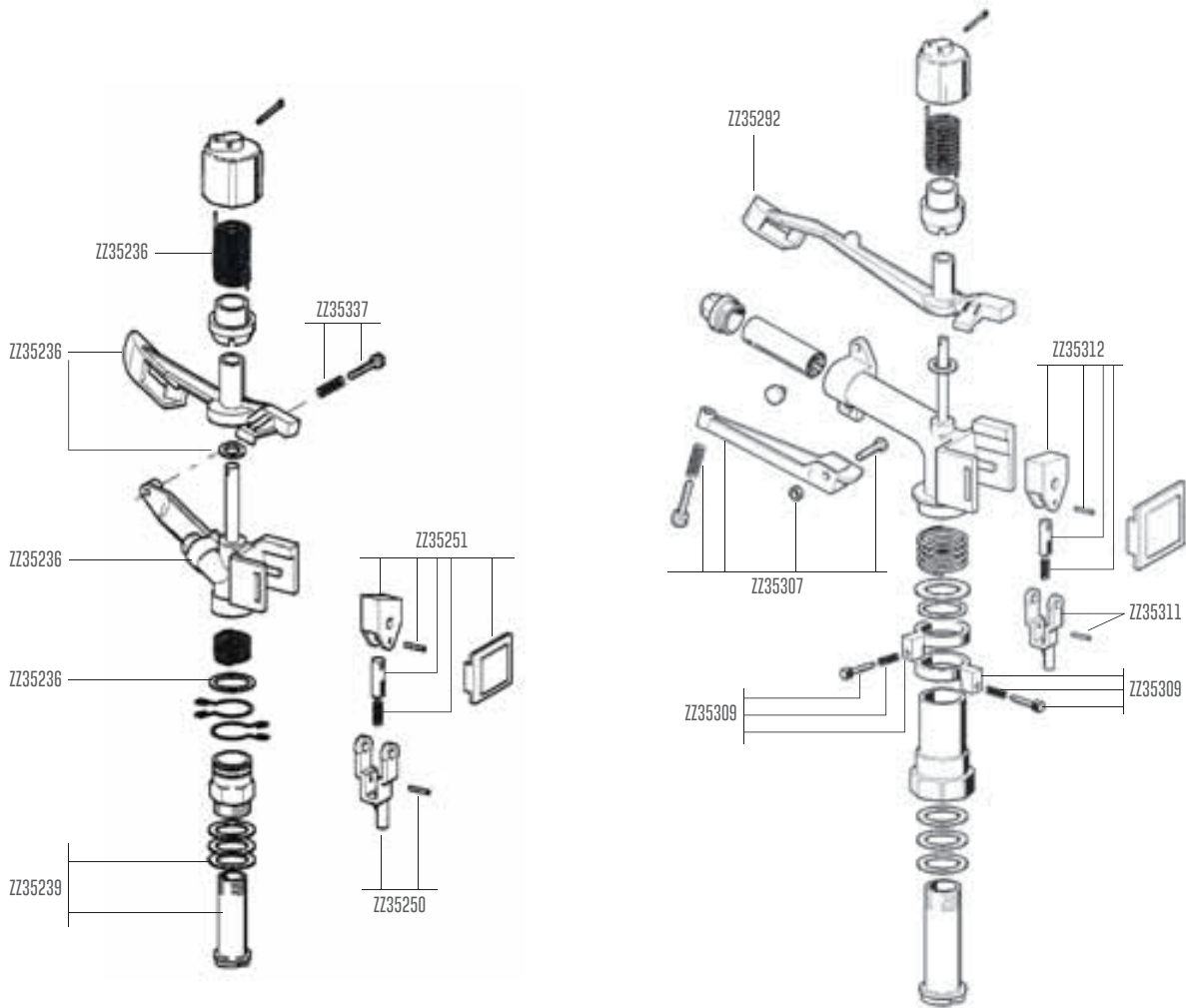
## ELECTRIC FOR HERBICIDE



Q.ty	Code	Description	Q.ty	Code	Description
1	M3V/1	Protection ring for micronizer	1	M3V/11	Pair of complete shoulder straps
1	M3V/2V	Green nozzle for micronizer $\varnothing$ 1.6 standard - Flow rate cc/min. 150	1	M3V/12	Check valve complete with connecting pipes
1	M3V/2G	Yellow nozzle for micronizer $\varnothing$ 1.8 on request - Flow rate cc/min. 200	1	M3V/13	Filter with fitting
1	M3V/2B	Blue nozzle for micronizer $\varnothing$ 2.2 on request - Flow rate cc/min. 300	1	M3V/14	Motor support
1	M3V/2N	Black nozzle for micronizer $\varnothing$ 2.5 standard - Flow rate cc/min. 400	1	M3V/15	Sector kit
1	M3V/3	Diffuser disc for micronizer	1	M3V/18	Complete tank for liquids with opening $\varnothing$ 10
1	M3V/4	Motor 3H033123 with gasket	1	M3V/19	Cover for tank with opening $\varnothing$ 10
1	M3V/5	Complete joint	1	M3V/20	Filter for tank with opening $\varnothing$ 10
1	M3V/6	Switch complete with tube			
1	M3V/7	Battery compartment cover for micronizer			

# JUNIOR AND FUNNY

## IMPACT SPRINKLERS

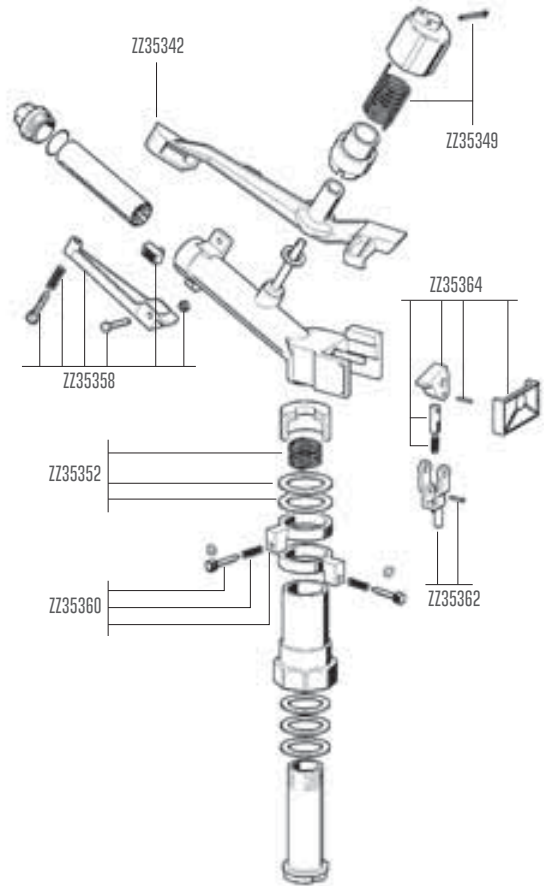
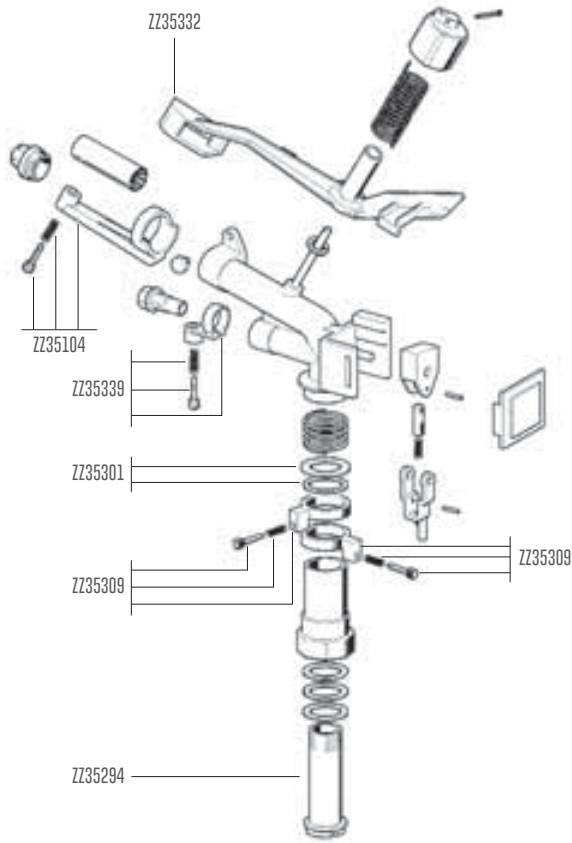


### JUNIOR 1/2"

### FUNNY 1"

Q.ty	Code	Description	Q.ty	Code	Description
1	ZZ35235	Casing for Junior	1	ZZ35292	Brass arm
1	ZZ35236	Arm + washer	1	ZZ35307	Aerator + adjusting screw + spring + screw + nut
1	ZZ35239	Internal body + washer	1	ZZ35311	Snap lever + pin
1	ZZ35242	Arm spring for Junior	1	ZZ35312	Swing lever + casing lever + spring + pin
1	ZZ35245	Washer 16x12, 2x1.5	1	ZZ35309	Ring + screw + spring
1	ZZ35250	Snap lever + pin	1	ZZ35U05	Nozzle for Funny Ø 5
1	ZZ35251	Lever + casing + spring + plate + pin	1	ZZ35U06	Nozzle for Funny Ø 6
1	ZZ35337	Spring + aerator screw	1	ZZ35U07	Nozzle for Funny Ø 7
1	ZZ35UJ	Nozzle for Junior Ø 4	1	ZZ35U09	Nozzle for Funny Ø 9

# IBIS AND K1 IMPACT SPRINKLERS



## IBIS TWO 1" JETS

Q.ty	Code	Description
1	ZZ35104	Upper aerator + adjusting screw + spring
1	ZZ35294	Internal body
1	ZZ35301	Washers
1	ZZ35309	Ring + inversion screw + spring
1	ZZ35332	Arm
1	ZZ35339	Adjusting screw + spring + collar
1	ZZ35104	Lower nozzle for Ibis Ø 4
1	ZZ35105	Lower nozzle for Ibis Ø 5
1	ZZ35106	Lower nozzle for Ibis Ø 6
1	ZZ35US06	Upper nozzle for Ibis Ø 6
1	ZZ35US07	Upper nozzle for Ibis Ø 7
1	ZZ35US08	Upper nozzle for Ibis Ø 8
1	ZZ35US09	Upper nozzle for Ibis Ø 9

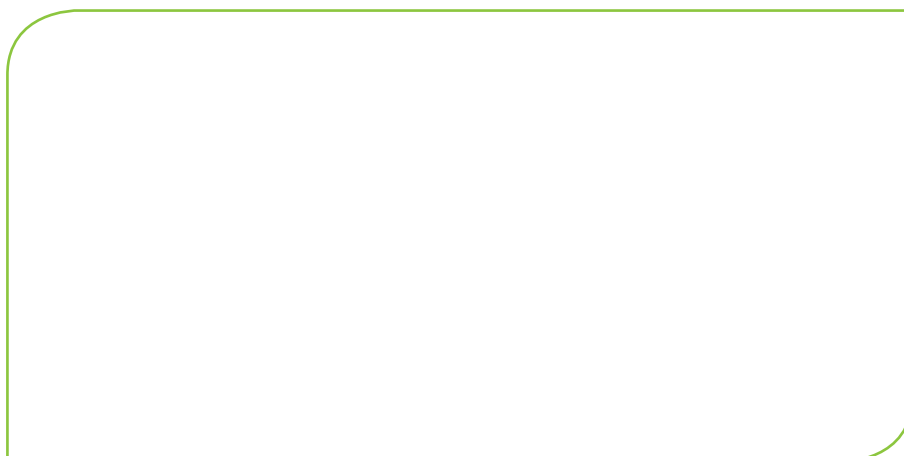
## K1 1" 1/4"

Q.ty	Code	Description
1	ZZ35US10	Upper nozzle for Ibis Ø 6
1	ZZ35342	Arm
1	ZZ35349	Arm spring + cotter pin
1	ZZ35352	Spring + striker washer + washer
1	ZZ35358	Aerator + adj.screw + liner + screw + nut + spring
1	ZZ35360	Ring + inversion screw + spring
1	ZZ35362	Snap lever + pin
1	ZZ35364	Swing lever-pin + casing lever + spring + plate
1	ZZ35UK08	Nozzle for K1 Ø 8
1	ZZ35UK09	Nozzle for K1 Ø 9
1	ZZ35UK10	Nozzle for K1 Ø 10
1	ZZ35UK12	Nozzle for K1 Ø 12



## GENERAL SALES CONDITIONS

- 1. PAYMENTS:** PAYMENTS WILL BE EFFECTED DIRECTLY TO DAVIDE & LUIGI VOLPI SPA BASED IN CASALROMANO (MN). THE TERMS OF PAYMENT WILL BE THE ONES SHOWN INTO THE INVOICE.
- 2. METHODS FOR DELIVERY:** WE RESERVE THE RIGHT TO PROCESS ORDERS EVEN IN PART ACCORDING TO PRODUCTION NEEDS OR STOCK AVAILABILITY.
- 3. TERMS:** DELIVERY TERMS ARE NOT BINDING ON OUR PART AND IN NO CASE SHALL COMPENSATION BE AWARDED FOR ANY DELAYS. FURTHERMORE, DELAYS IN DELIVERIES DO NOT GIVE RISE TO A RIGHT TO A REDUCTION IN, OR A CANCELLATION OF, THE ORDER.
- 4. COMPLAINTS:** ANY COMPLAINTS SHALL BE FILED WITHIN EIGHT DAYS FROM RECEIPT OF THE GOODS, AND ANY MISSING PACKAGES SHALL BE EQUALLY REPORTED IN THE TRANSPORT DOCUMENT WITHIN EIGHT DAYS.
- 5. WARRANTY:** ALL OUR PRODUCTS ARE GUARANTEED AGAINST MANUFACTURING DEFECTS SINCE THEY ARE CHECKED AND TESTED BEFORE SHIPMENT. ANY PARTS FOUND TO BE DEFECTIVE BY THE CUSTOMER SHALL BE REPAIRED OR REPLACED BY US FREE OF CHARGE. THE PARTS CONSIDERED CONSUMABLES ARE NOT COVERED BY THE WARRANTY, NOR THOSE PARTS THAT PROVE TO BE DEFECTIVE DUE TO NEGLIGENCE OR CARELESSNESS BY THE CUSTOMER, TO DAMAGE CAUSED BY TRANSPORTATION OR TO CIRCUMSTANCES THAT, IN ANY CASE, CANNOT BE ATTRIBUTABLE TO MANUFACTURING DEFECTS IN THE PRODUCT.
- 6. DISPUTES:** NO DISPUTE WILL GIVE THE BUYER THE RIGHT TO SUSPEND OR DELAY PAYMENTS. FOR ANY DISPUTE ARISING OUT OF BUSINESS TRANACTED BY US OR OUR AGENTS, EITHER IN ITALY OR ABROAD, THE COMPETENT AUTHORITY SHALL BE THE COURT OF MANTUA, ITALY.





---

**Davide e Luigi Volpi S.p.A.**

Via San Rocco, 10 - 46040 Casalromano (MN) Italia  
Tel. +39 0376 76009 - Fax +39 0376 76408 - [www.volpioriginale.it](http://www.volpioriginale.it) - [export@volpioriginale.it](mailto:export@volpioriginale.it)

---

